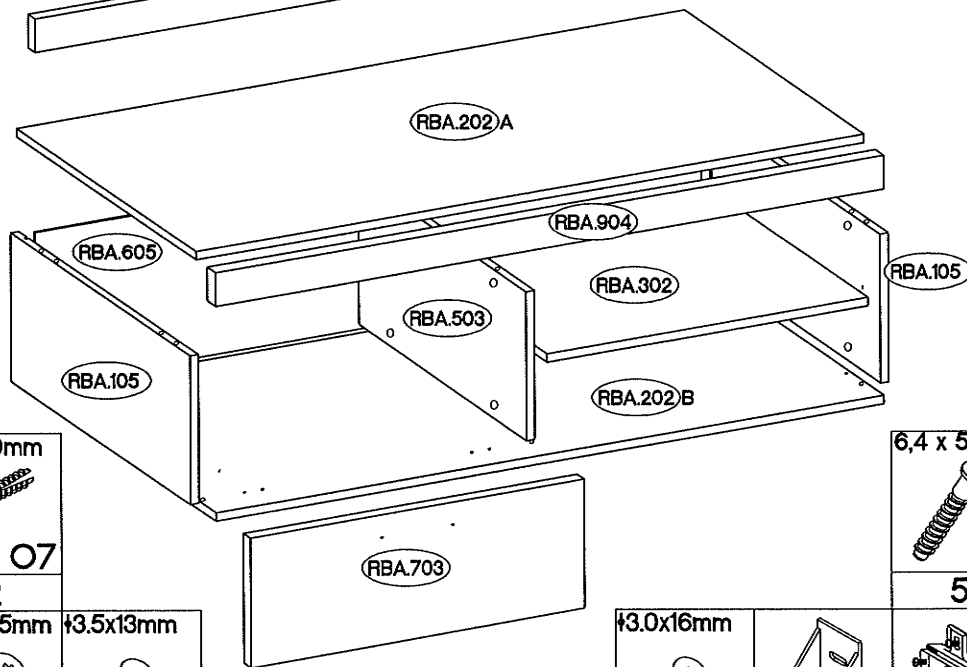
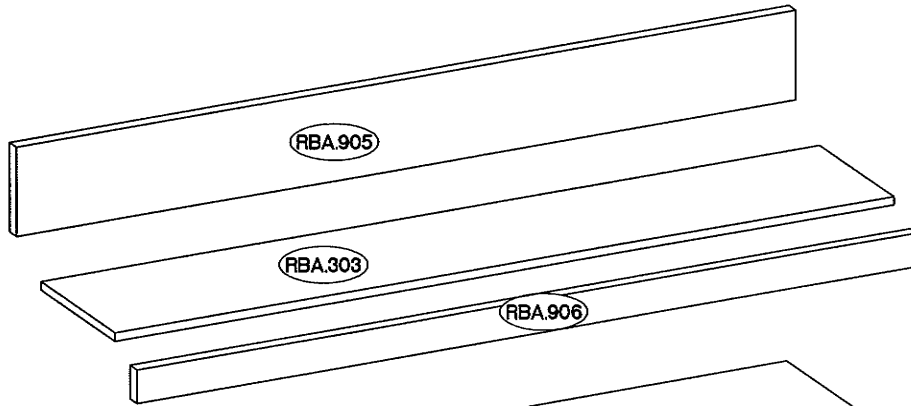
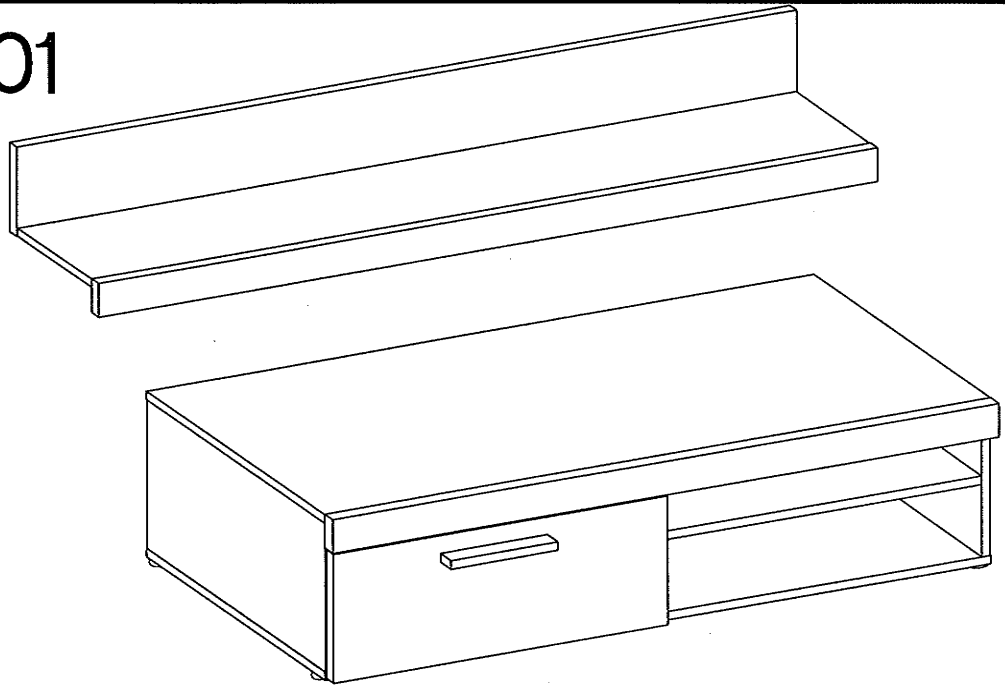







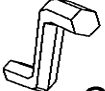
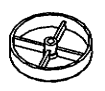
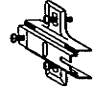
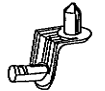

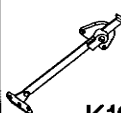


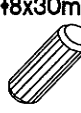


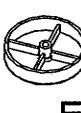



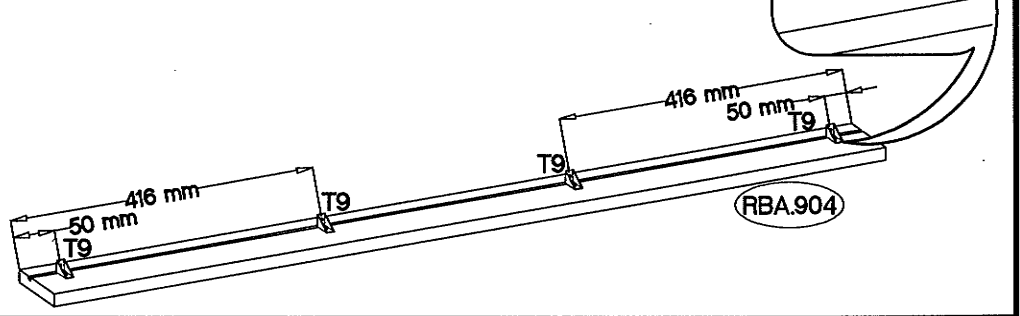
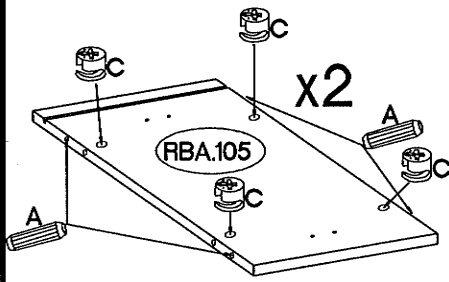
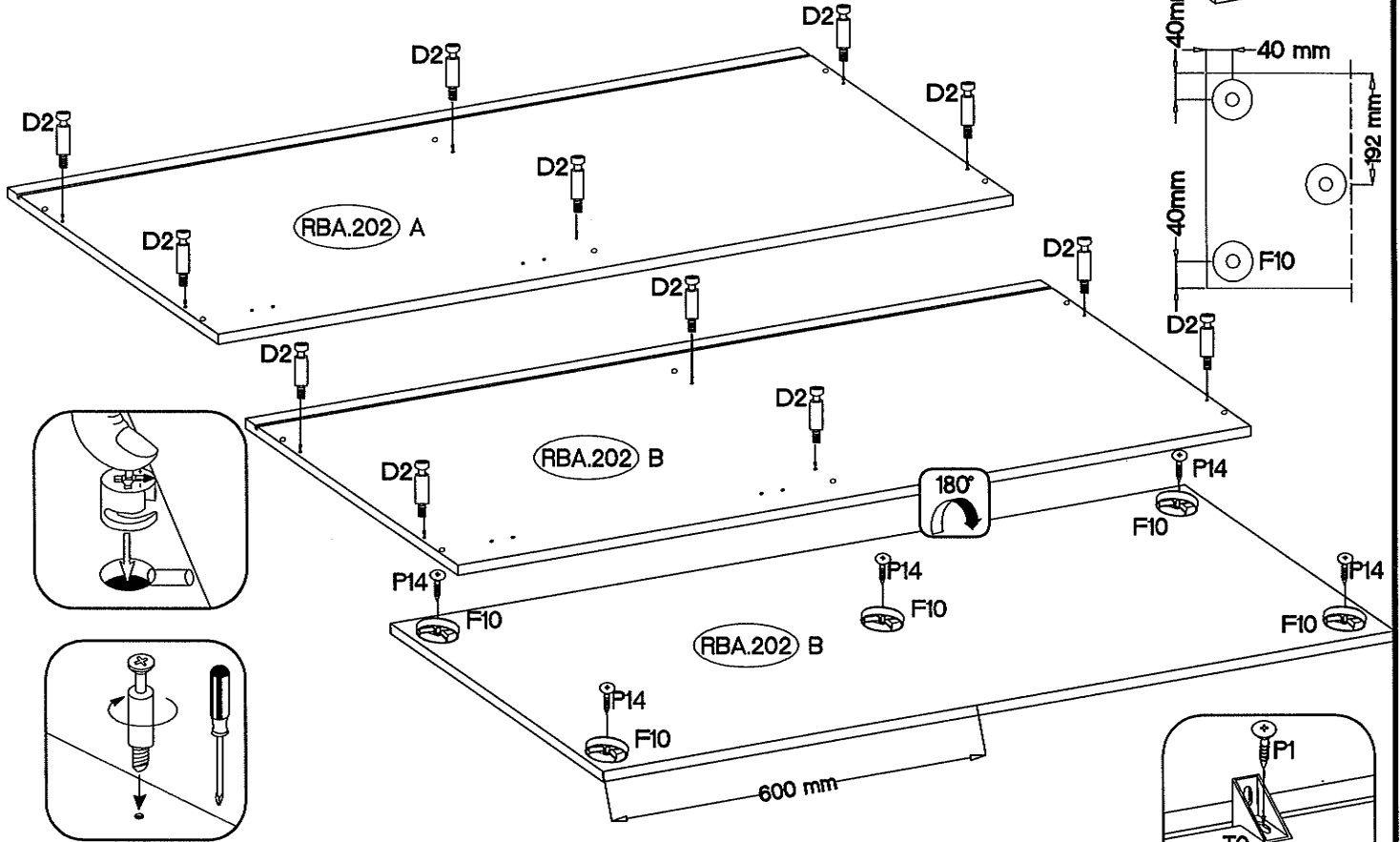
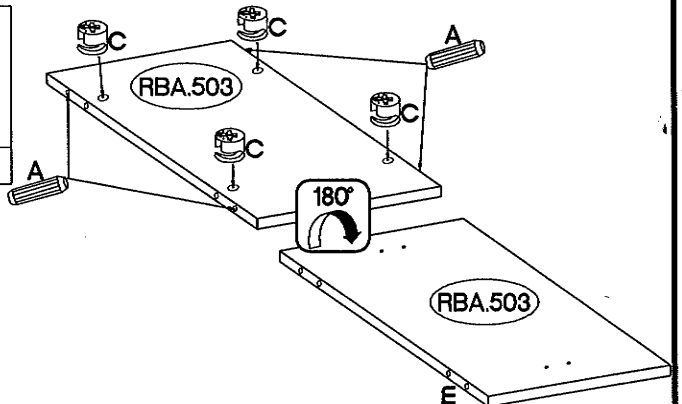
RUMBA 01




										
E									M4	
12									4	
										
K7									J5	
2									2	
5/45mm	†10x50mm							6,4 x 50mm		
										
O3	O7							B	O	
2	2							5	1	
	†4.0x25mm	†3.5x13mm								
F10	P14	P5							H	J1
5	5	7							2	4
†4.0x30mm	†4.0x16mm	†3.0x20mm	L=20mm	†15/12mm	†8x30mm	†3.0x16mm		L=128mm		†35/0mm
R2	P1	P7	D2	C	A	L	S1	K13	G	
2	16	2	12	12	12	5	1	1	2	

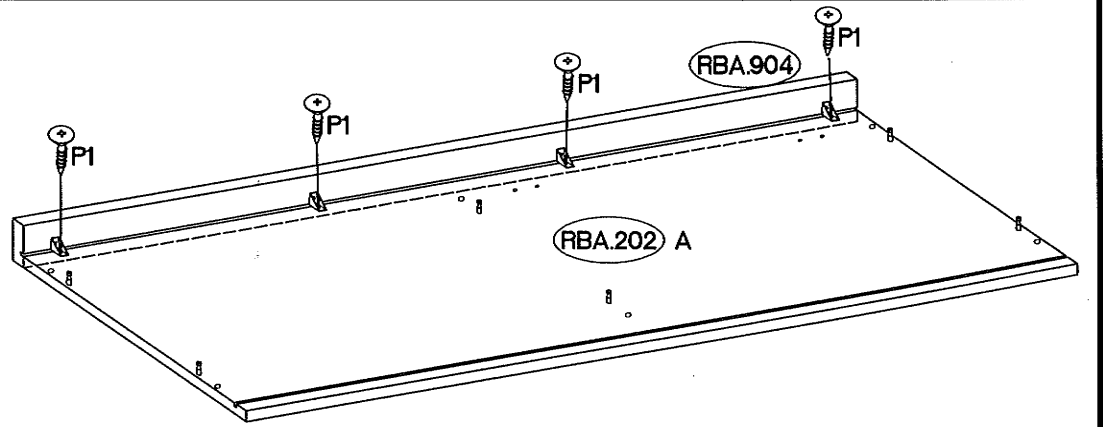
1

L=20mm  D2 12	±15/12mm  C 12	±8x30mm  A 12	 T9 4	±4.0x16mm  P1 4
 F10 5	±4.0x25mm  P14 5			

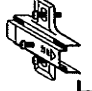
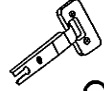




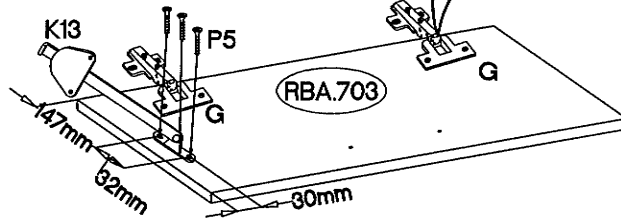
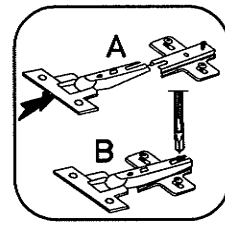
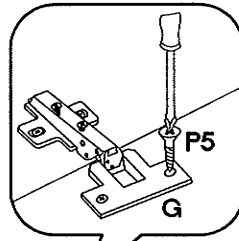
2

±4.0x16mm  P1 4




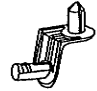



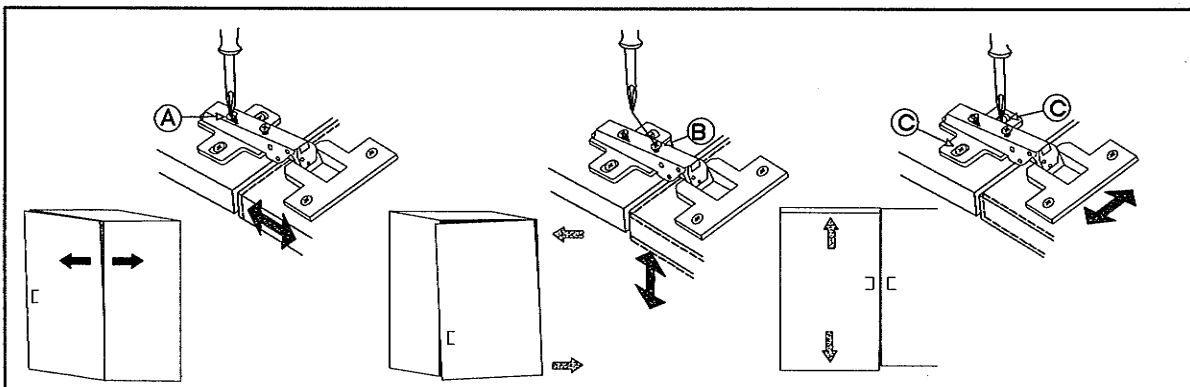
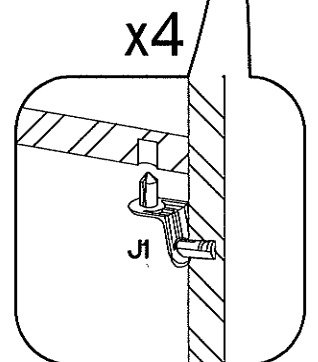
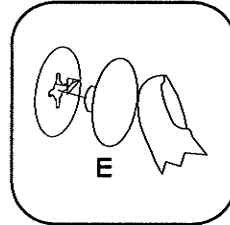
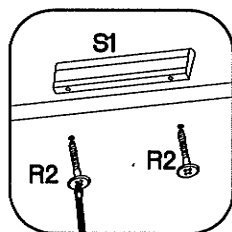
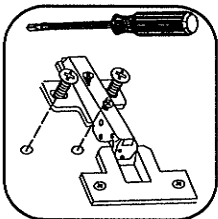
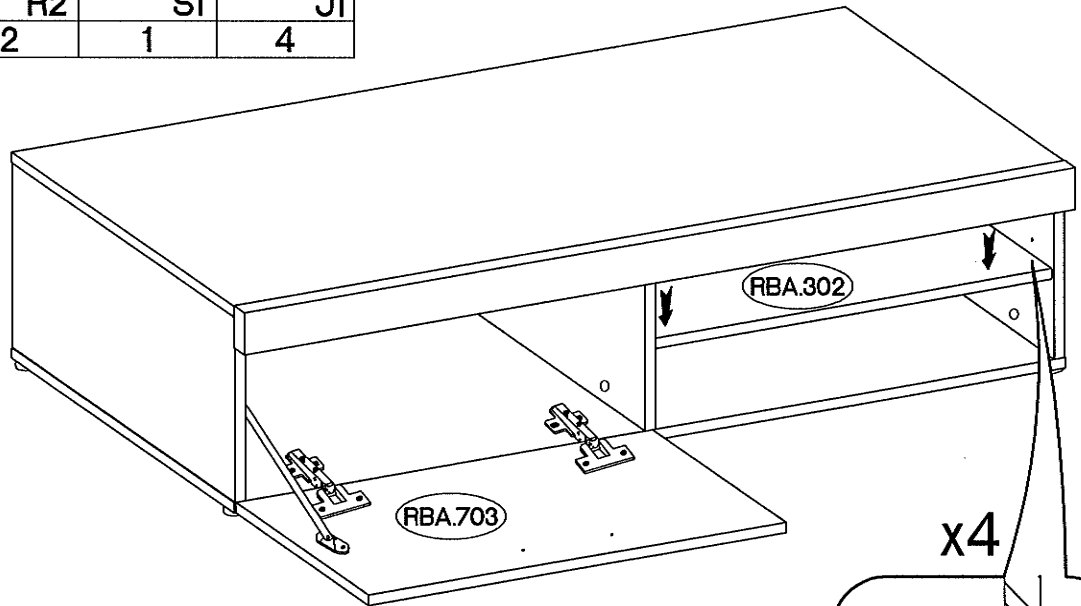
6

H=0  H	±35/0mm  G	±3.5x13mm  P5
2	2	4
 K13		
1		

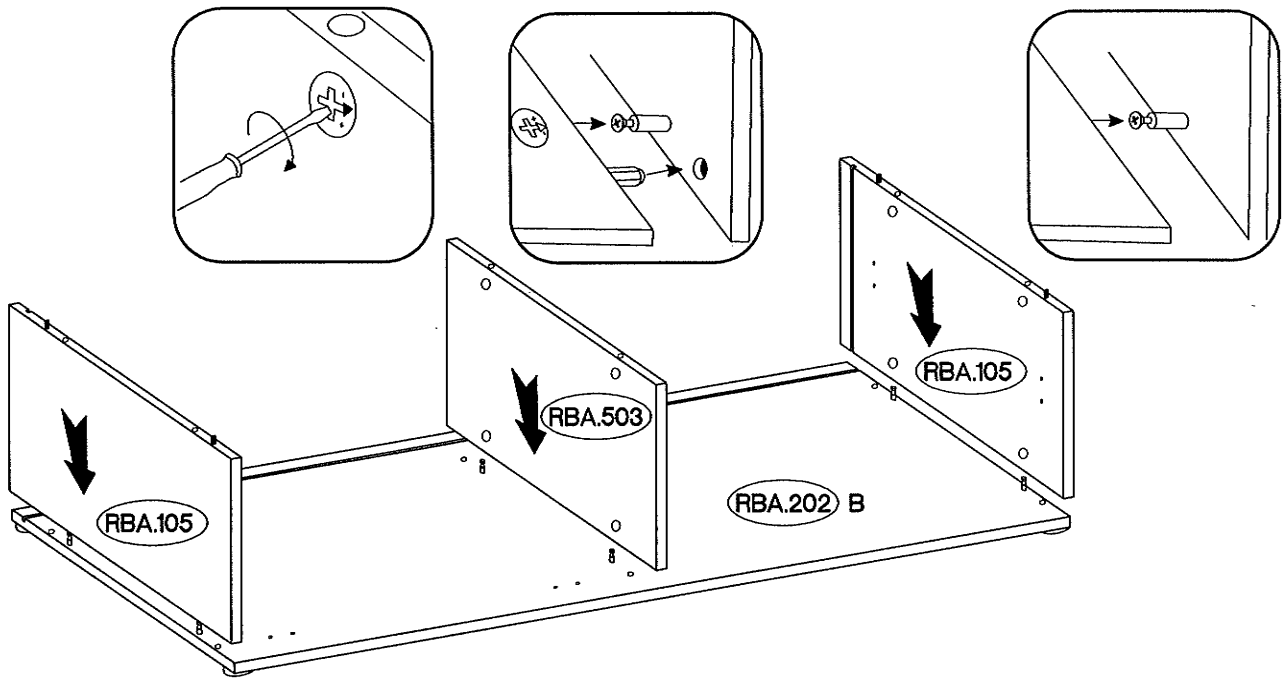


7

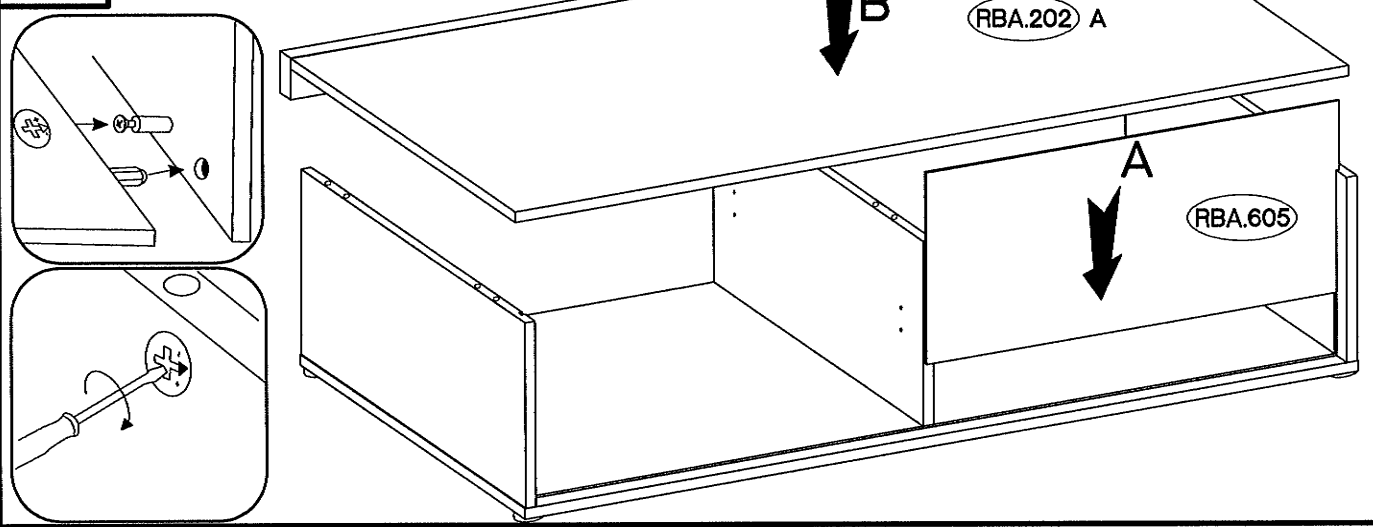
 E	±4.0x30mm  R2	L=128mm  S1	 J1
12	2	1	4
±3.0x16mm  P11			
3			



3

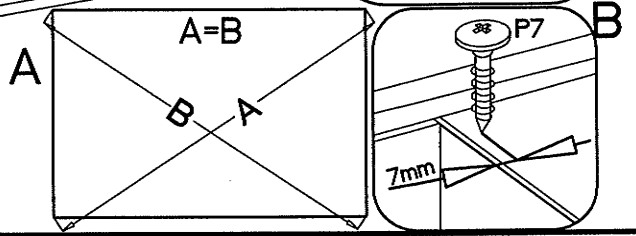
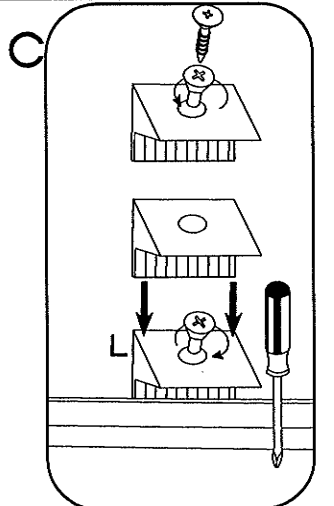
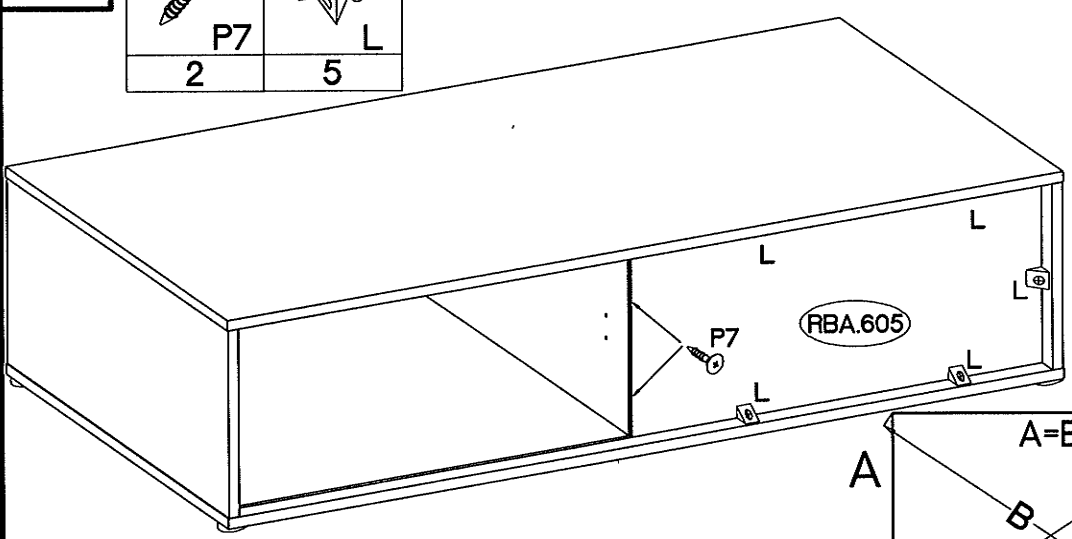


4


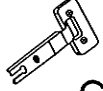



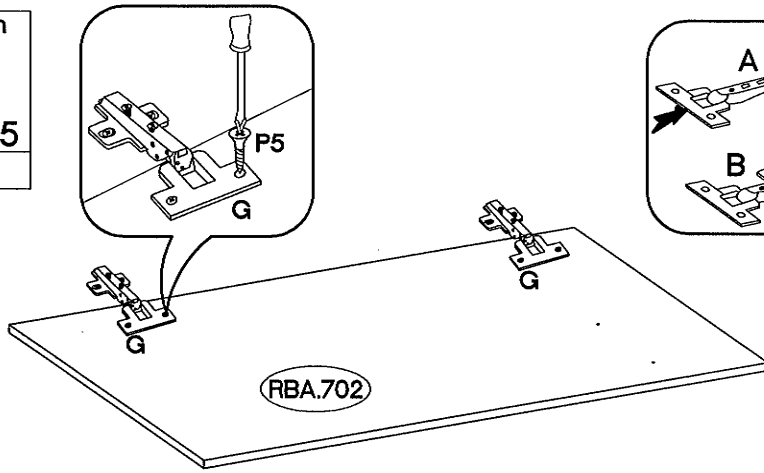
5

+3.0x20mm	
P7	L
2	5


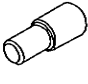

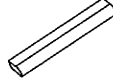


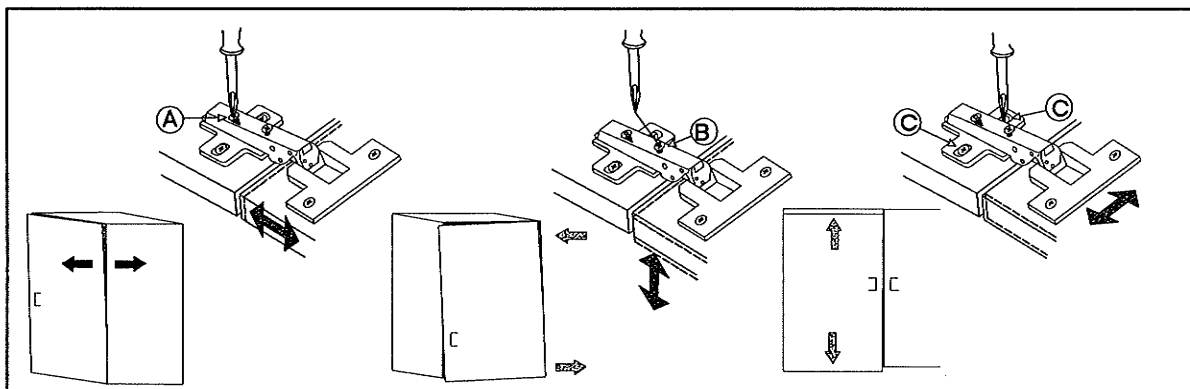
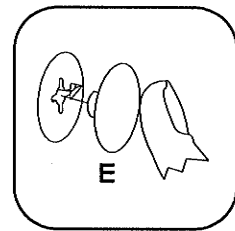
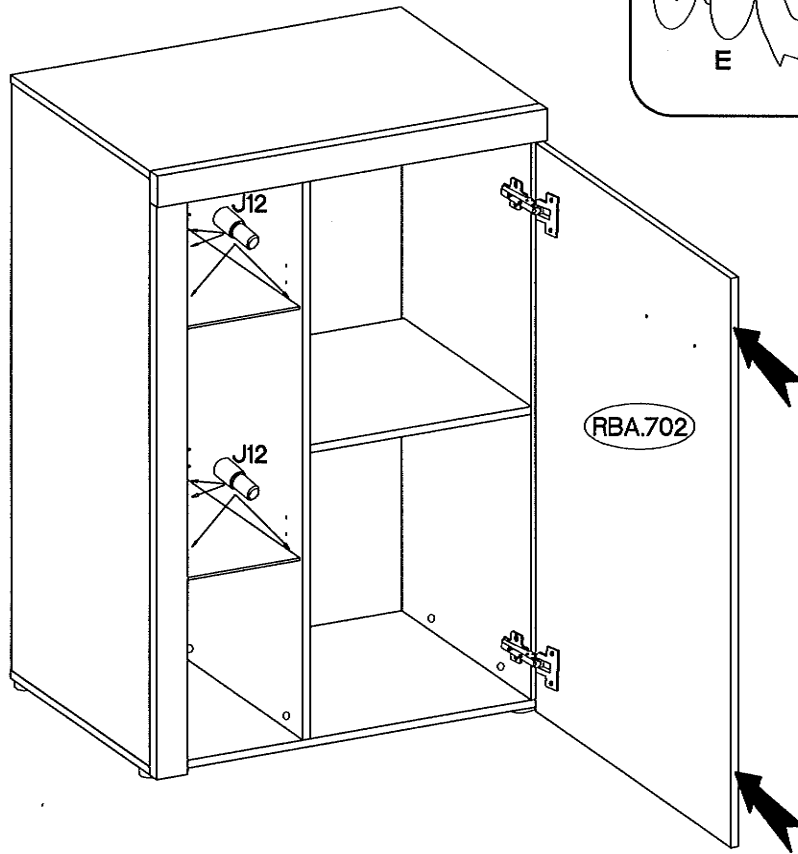
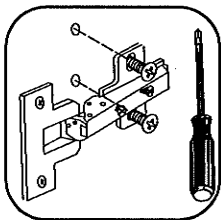
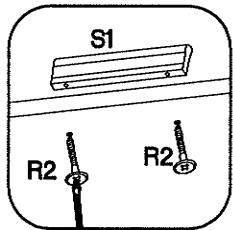
30

H=0  H	±35/0mm  G	±3.5x13mm  P5
2	2	4




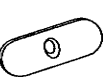
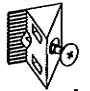
31

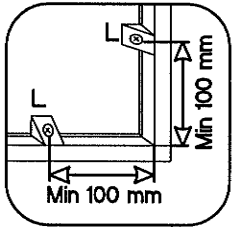
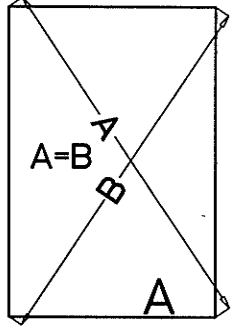
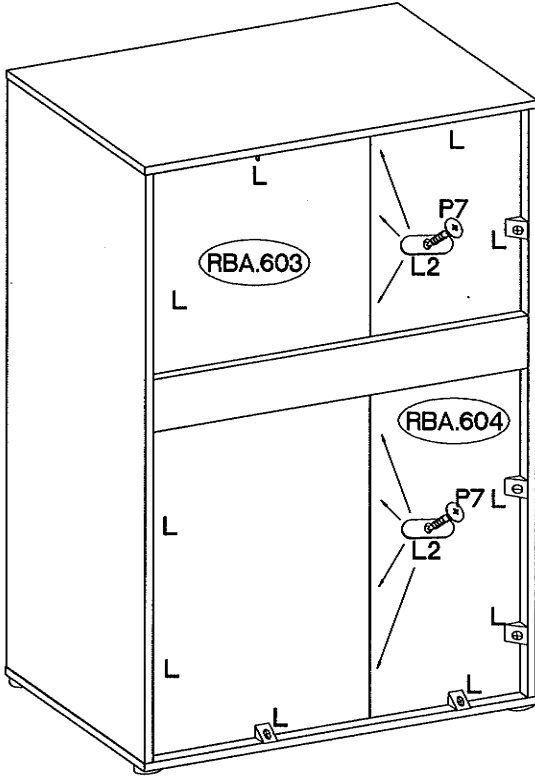
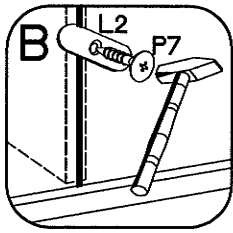
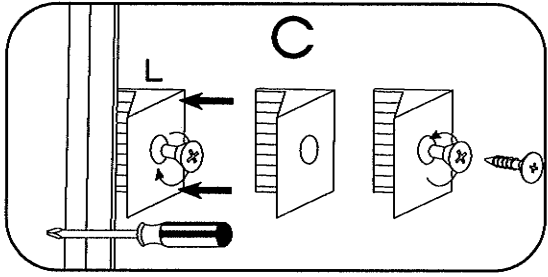
 E	 J12	±4.0x30mm  R2	L=128mm  S1
16	8	2	1






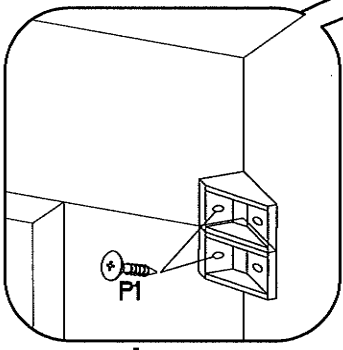
27

 P7 11	 L2 7	 L 10
---	--	--

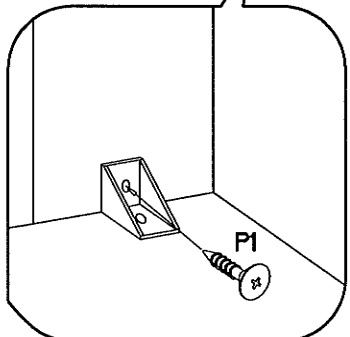
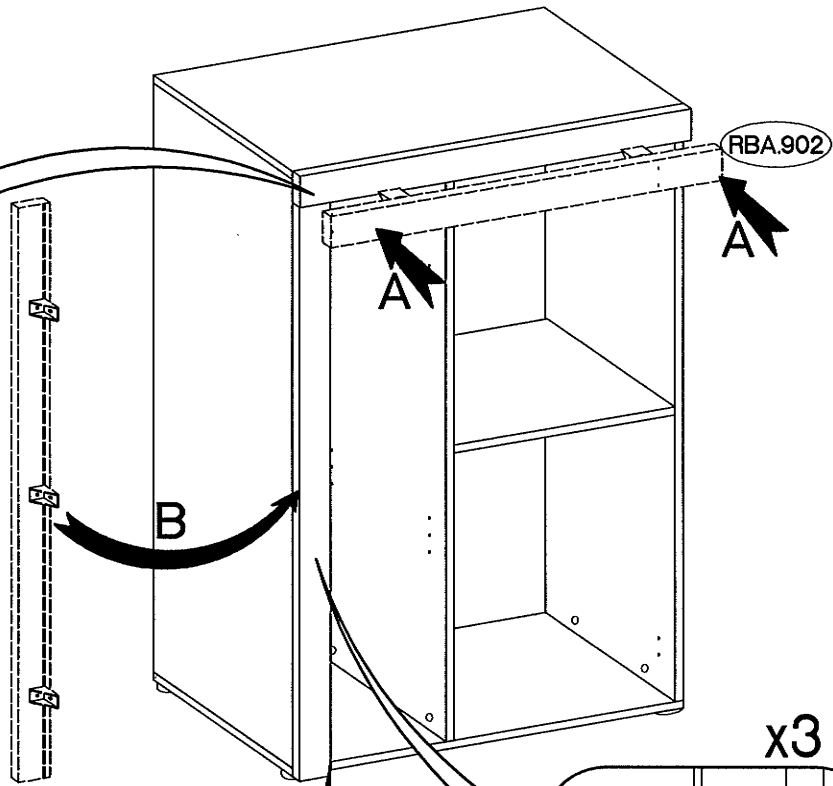


28

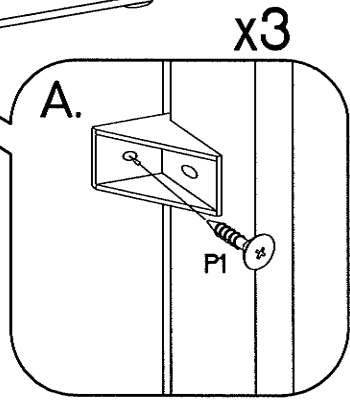
 P1 10
--



x1

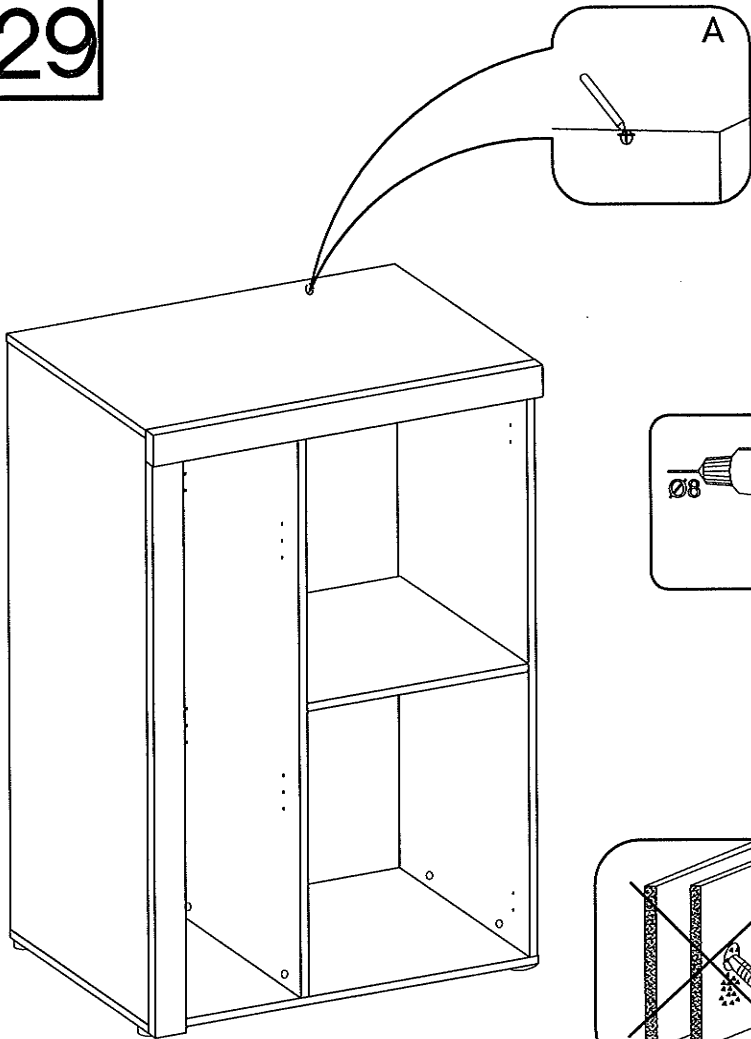





x1

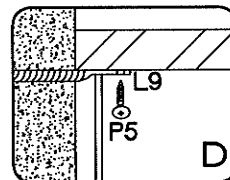
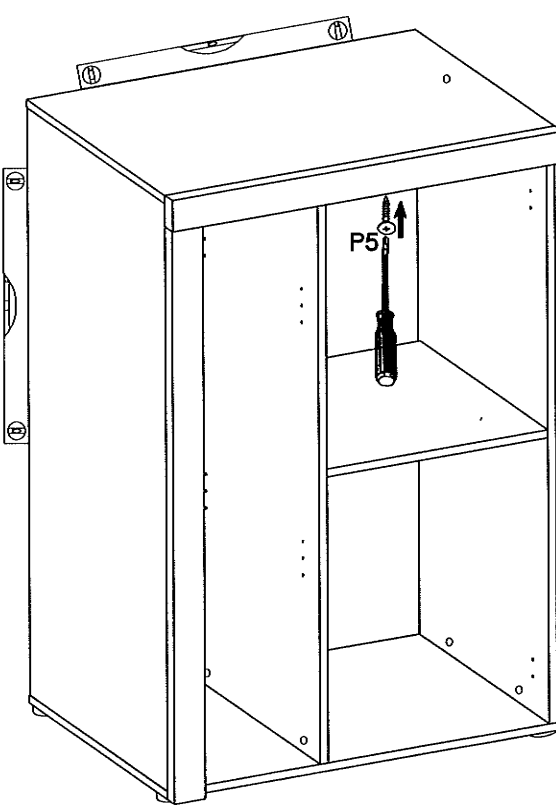
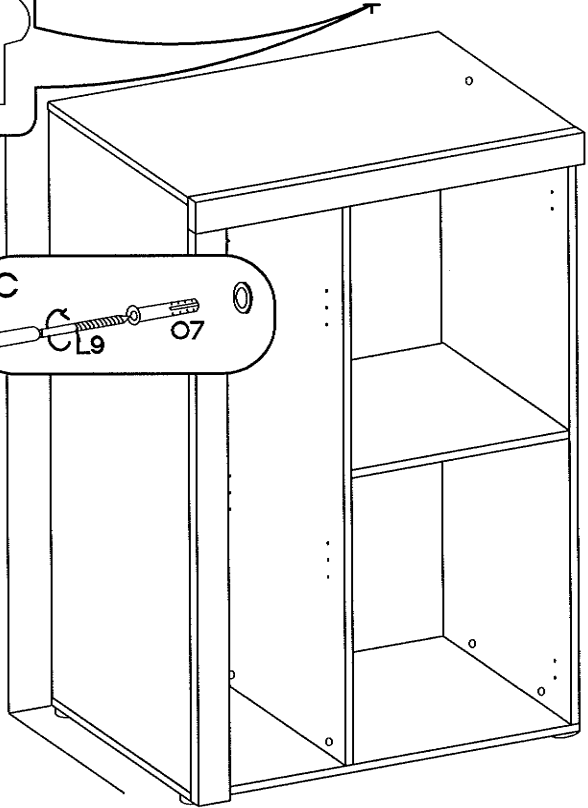
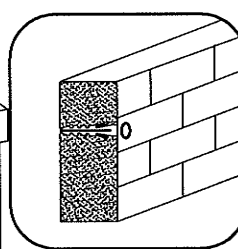
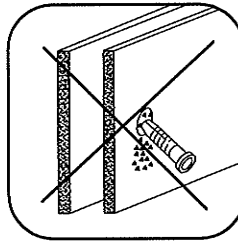
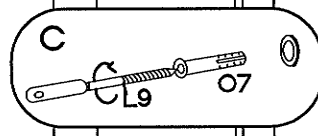
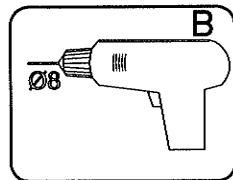






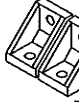
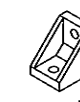
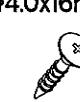


x3

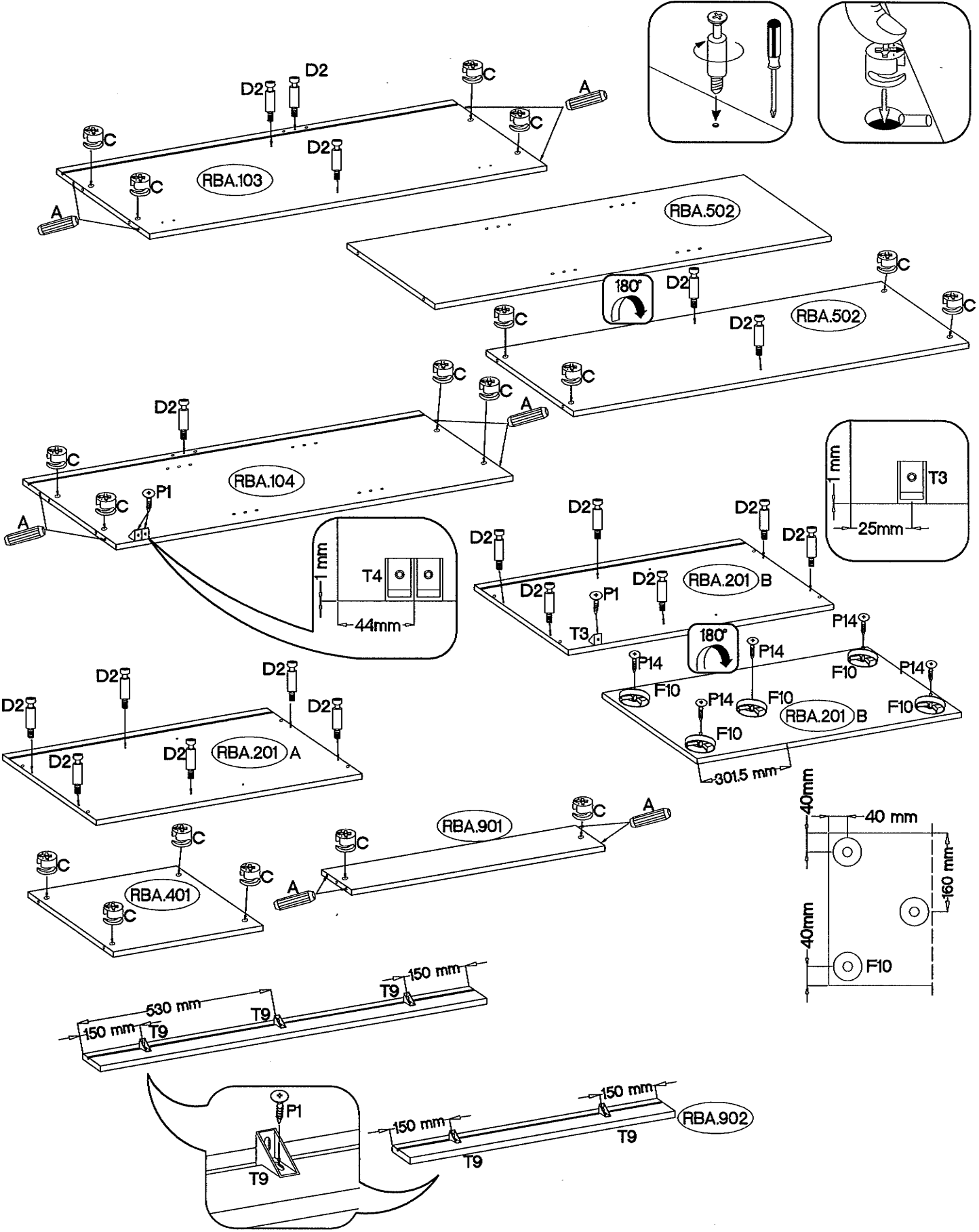
29



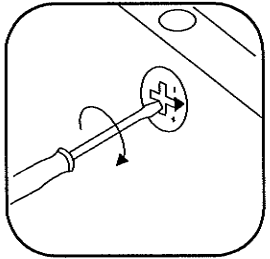
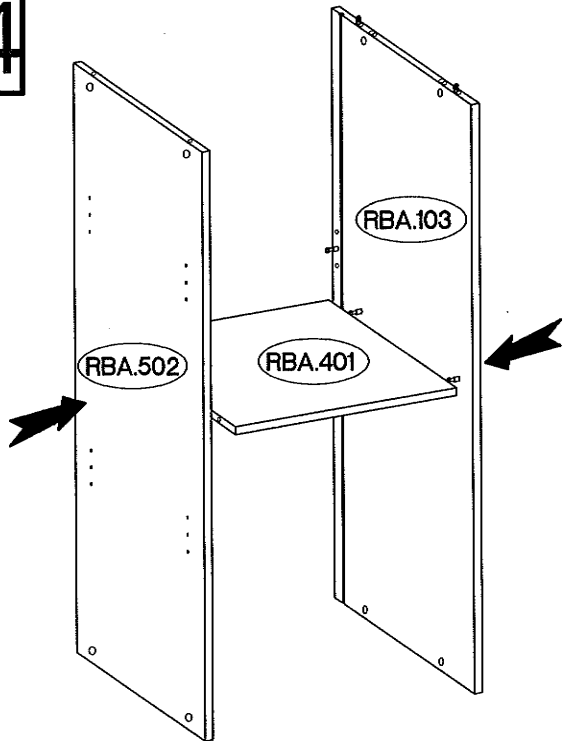
$\pm 10 \times 50 \text{mm}$  O7 1	 L9 1	$\pm 3.5 \times 13 \text{mm}$  P5 1
--	--	---



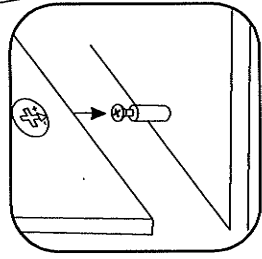
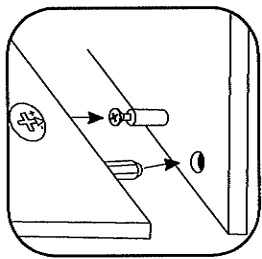
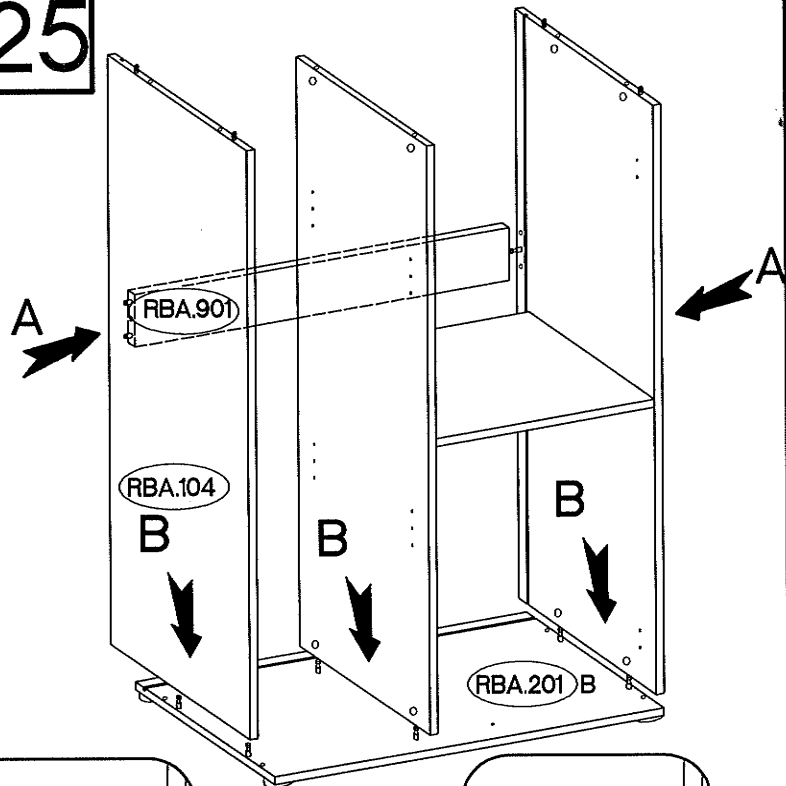
L=20mm  D2 18	±15/12mm  C 18	±8x30mm  A 12	 T9 5	 T4 1	 T3 1	±4.0x16mm  P1 8	 F10 5	±4.0x25mm  P14 5
---	--	---	--	--	--	---	---	--



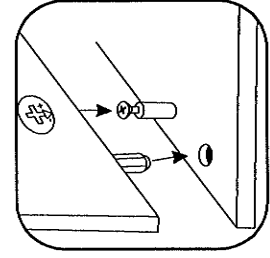
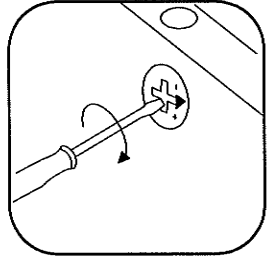
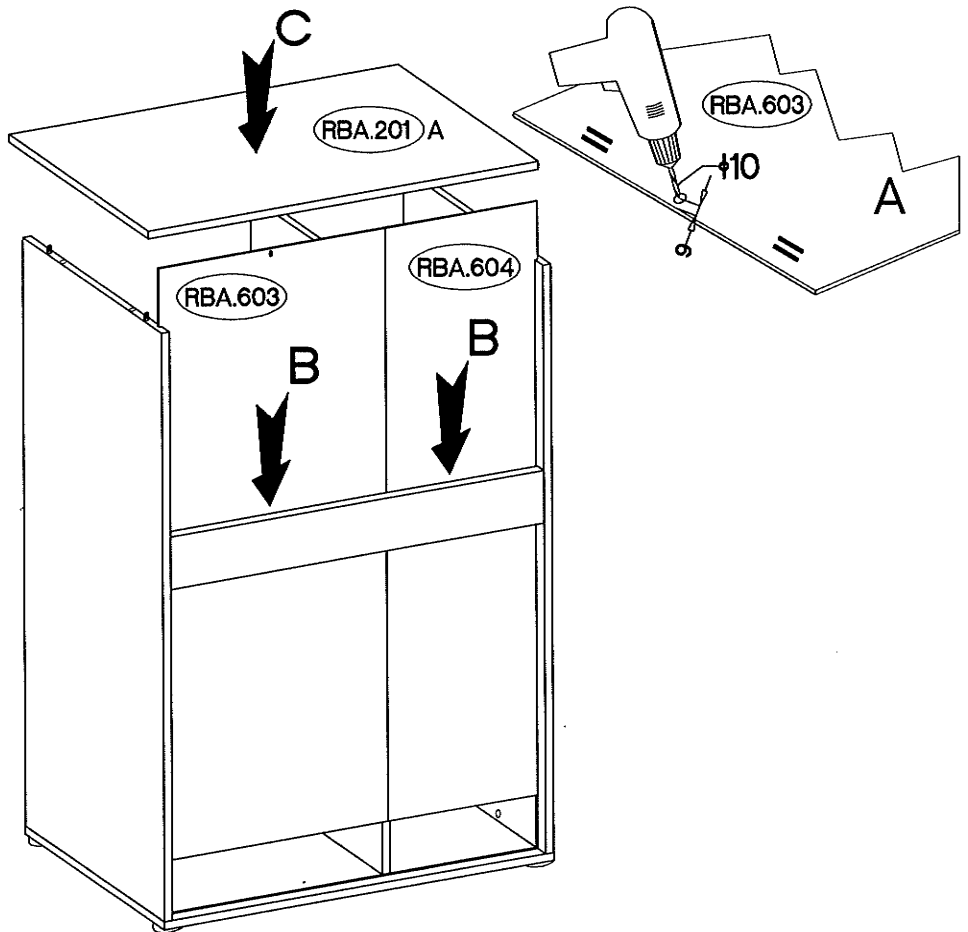
24



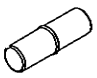

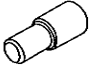


25

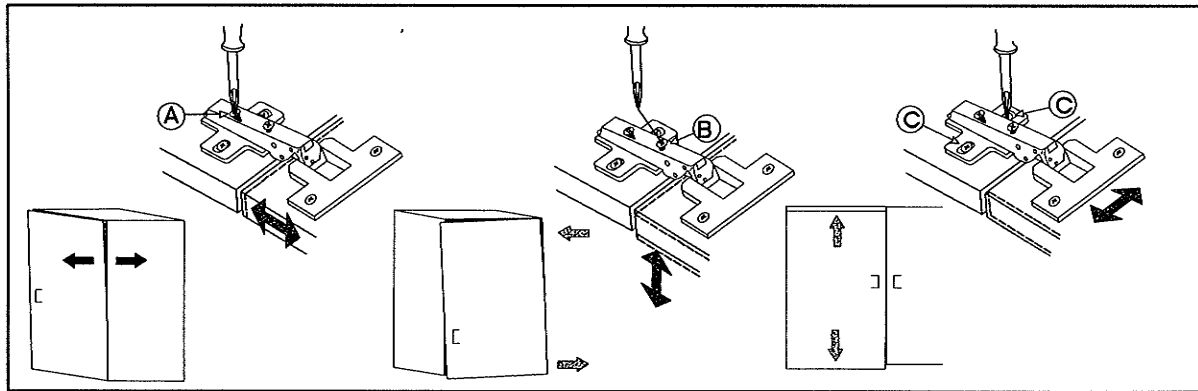
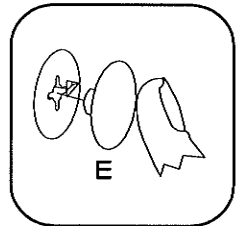
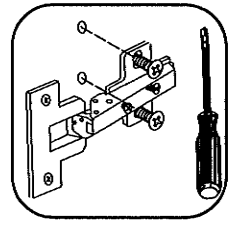
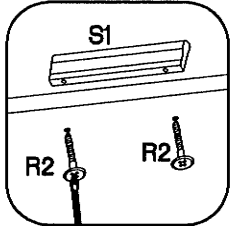
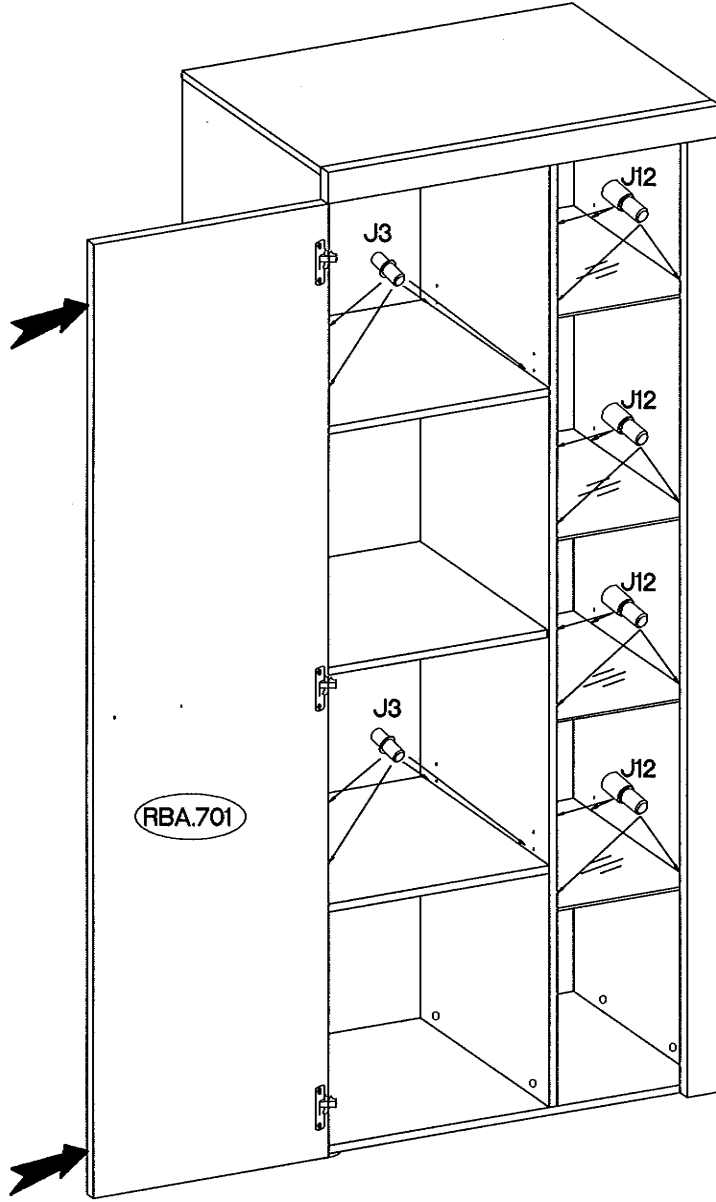


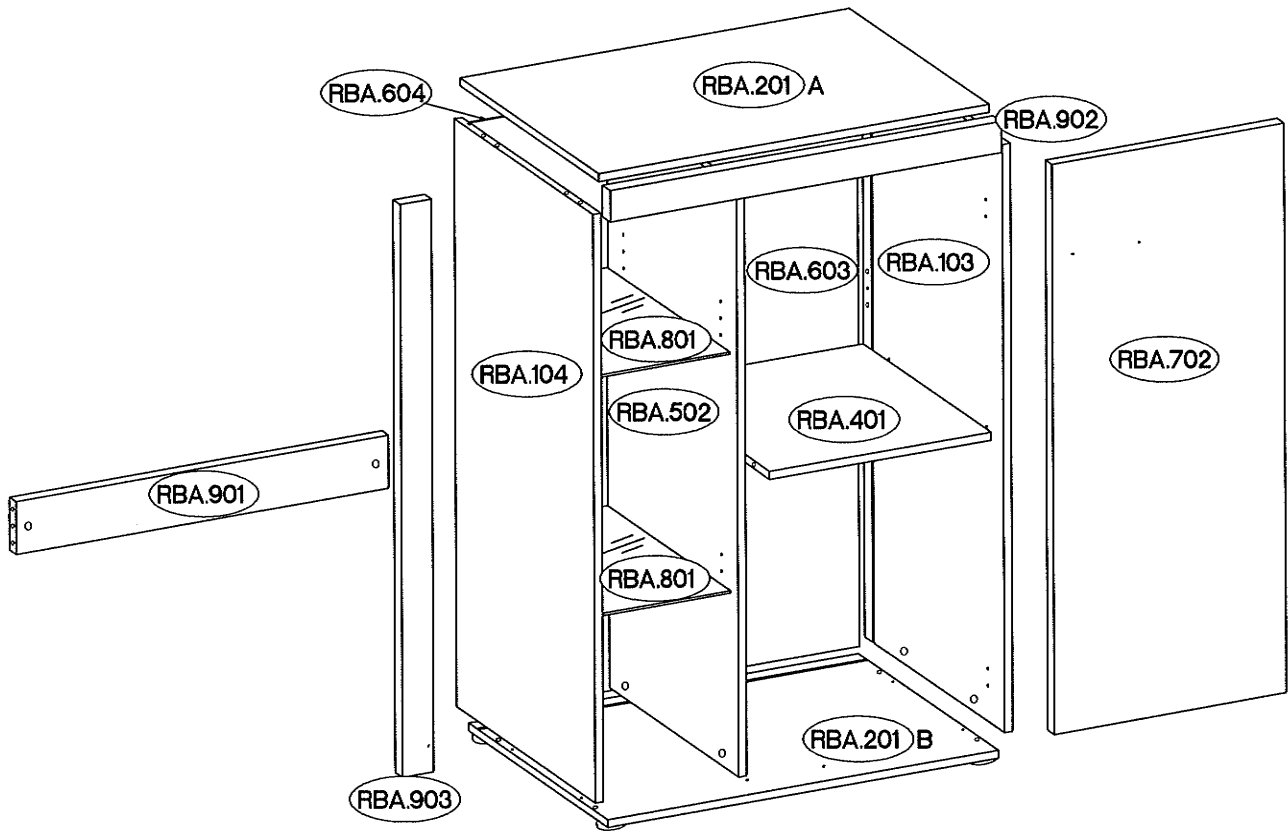
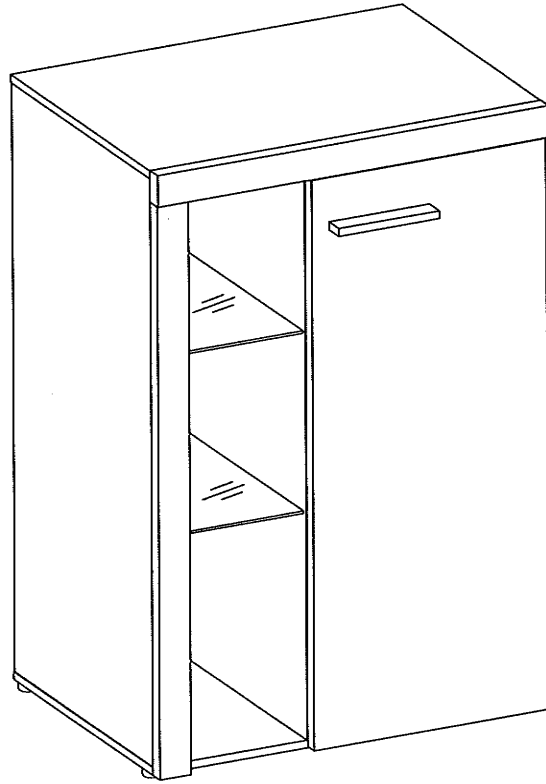
26



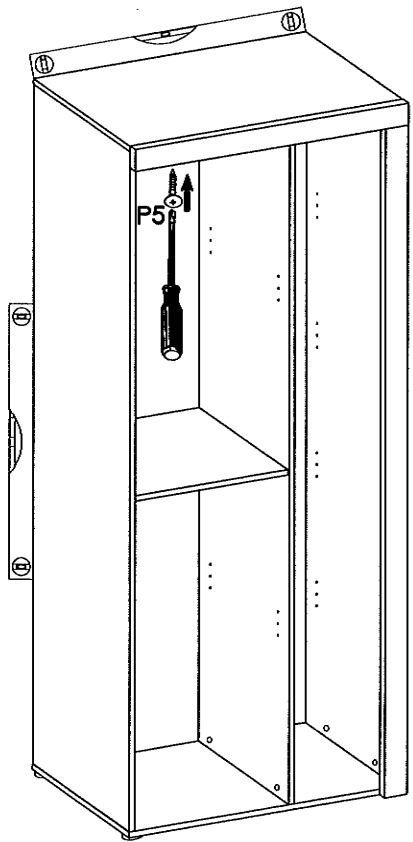
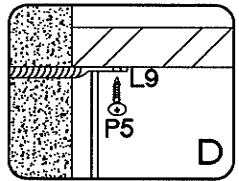
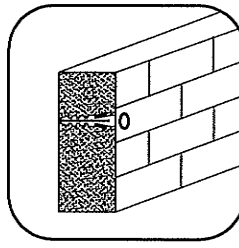
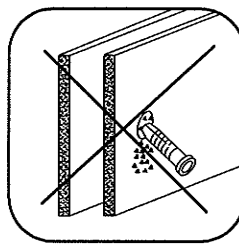
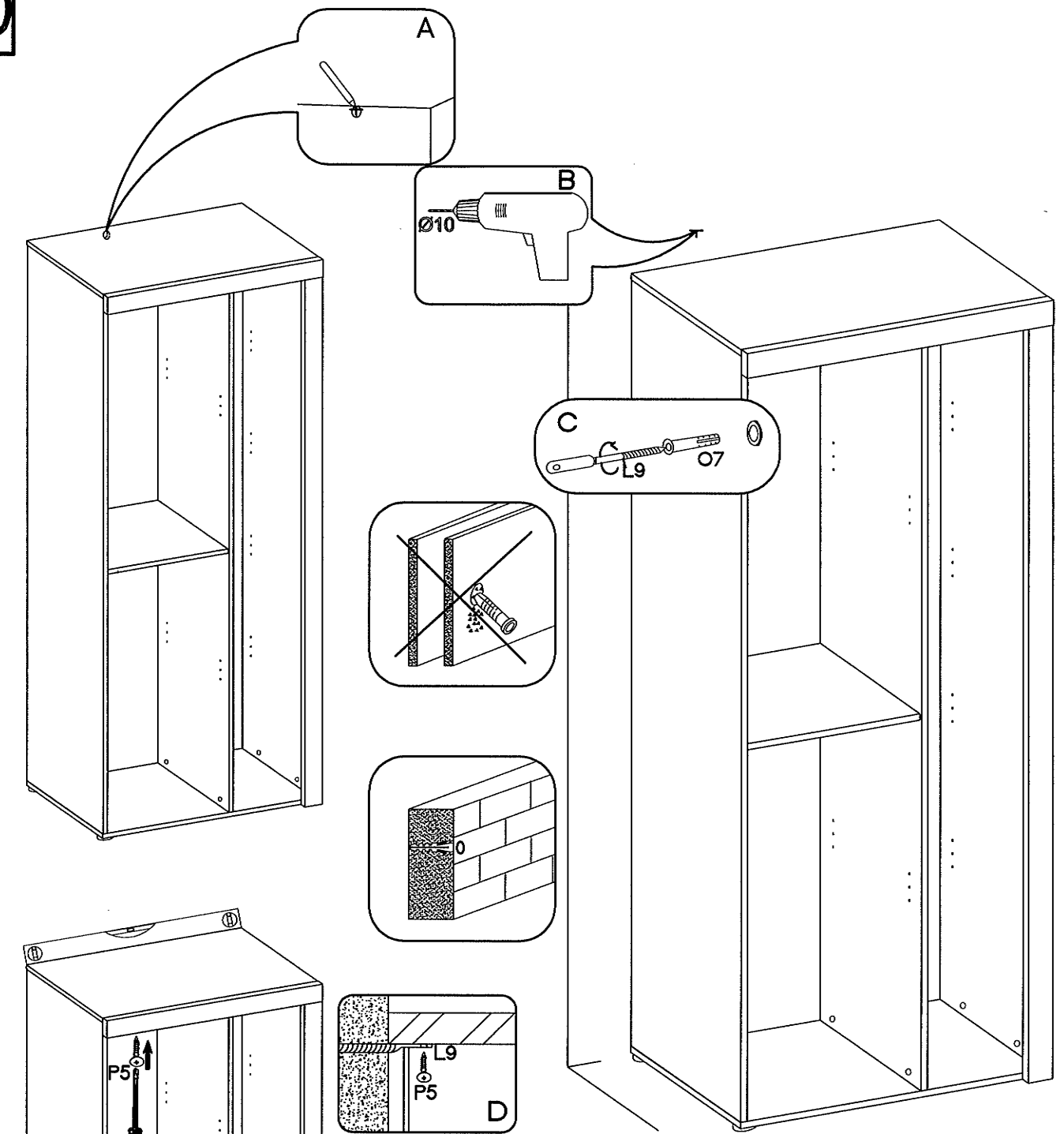
21




±5/16mm  J3	 E	 J12	±4.0x30mm L=128mm  R2	 S1
8	16	16	2	1





$\dagger 10 \times 50 \text{mm}$ 			$\dagger 4.0 \times 25 \text{mm}$ 	H=0 		$\dagger 3.5 \times 13 \text{mm}$ 			
O7 1	L9 1	F10 5	P14 5	H 2	L2 7	P5 5	J12 8	T9 5	T4 1
$\dagger 4.0 \times 30 \text{mm}$ 	$\dagger 4.0 \times 16 \text{mm}$ 	$\dagger 3.0 \times 20 \text{mm}$ 	L=20mm 	$\dagger 15/12 \text{mm}$ 	$\dagger 8 \times 30 \text{mm}$ 		L=128mm 		$\dagger 35/0 \text{mm}$
R2 2	P1 14	P7 7	D2 18	C 18	A 12	L 10	S1 1	E 16	G 2



 #10x50mm O7 1	 L9 1	 #3.5x13mm P5 1
--	--	---

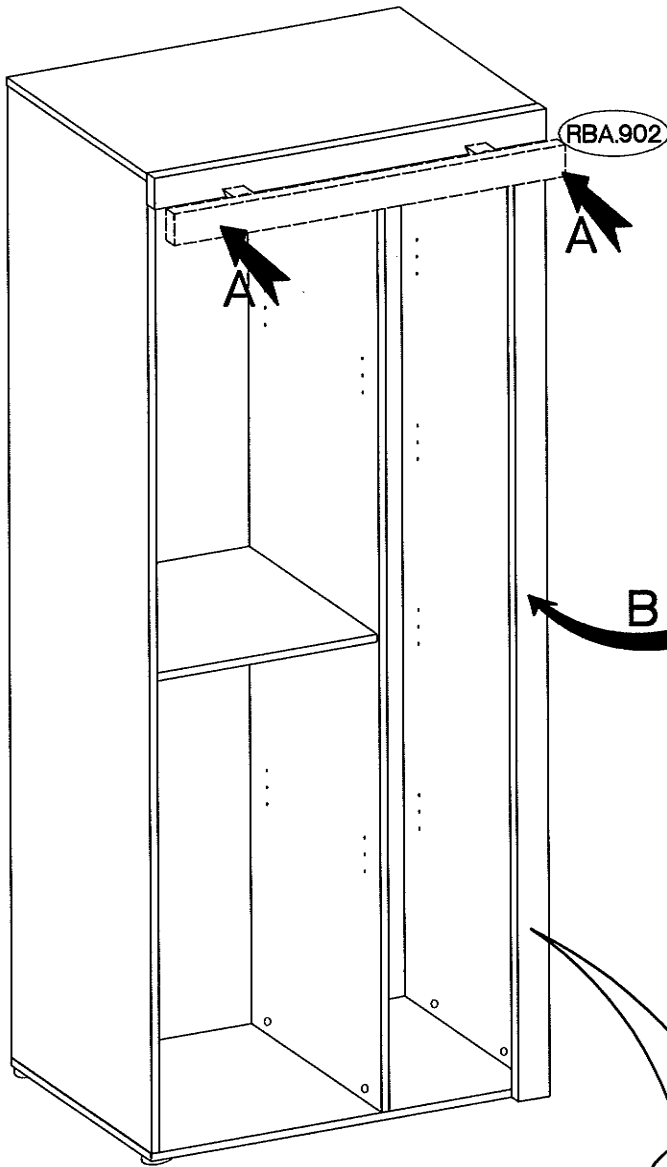
18

4.0x16mm

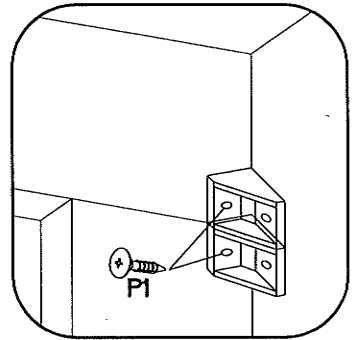


P1

10

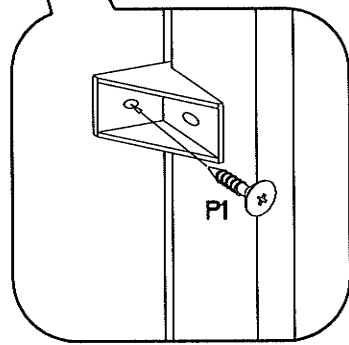


x1



RBA.903

x5



19

H=0



H

3

35/0mm



G

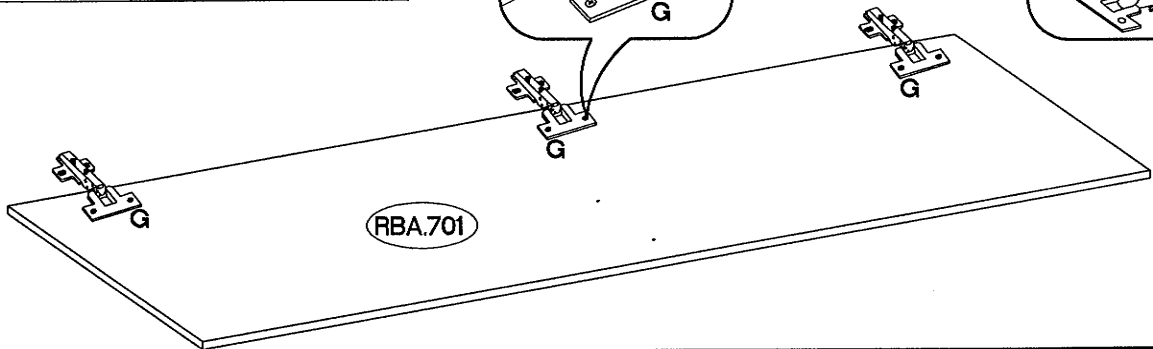
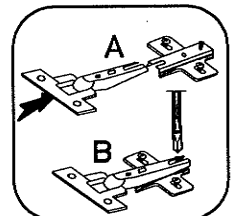
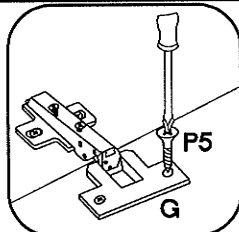
3

3.5x13mm



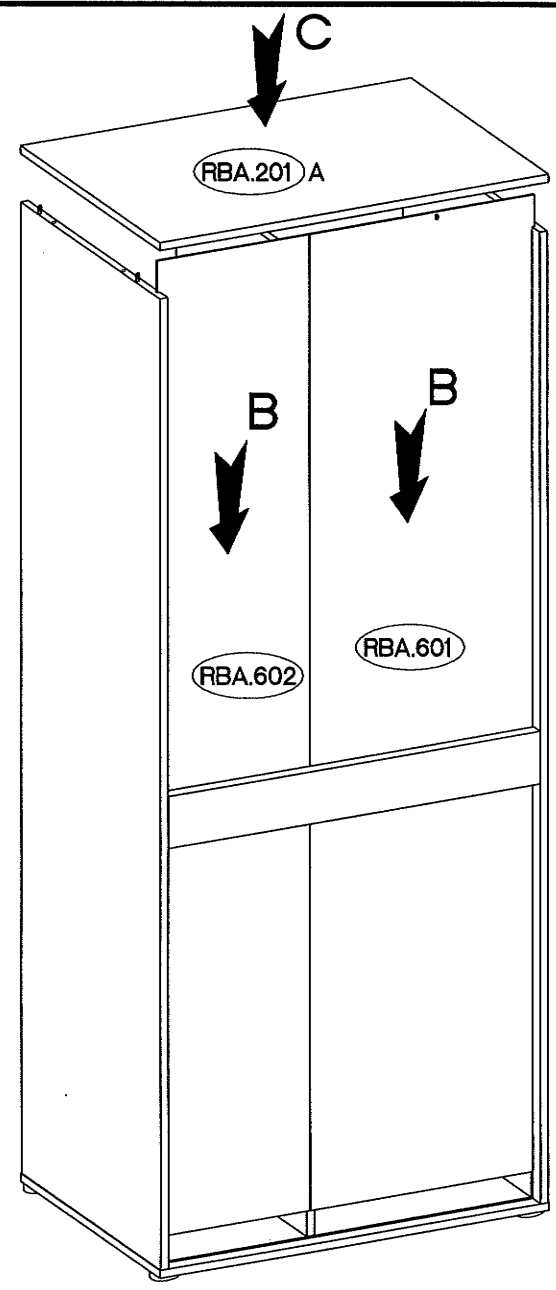
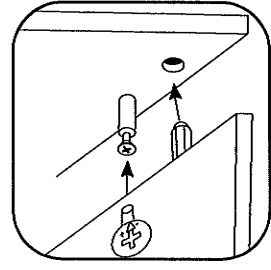
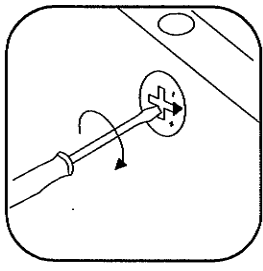
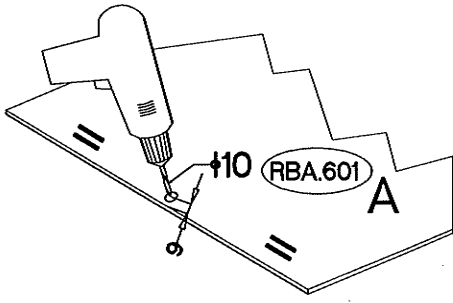
P5

6

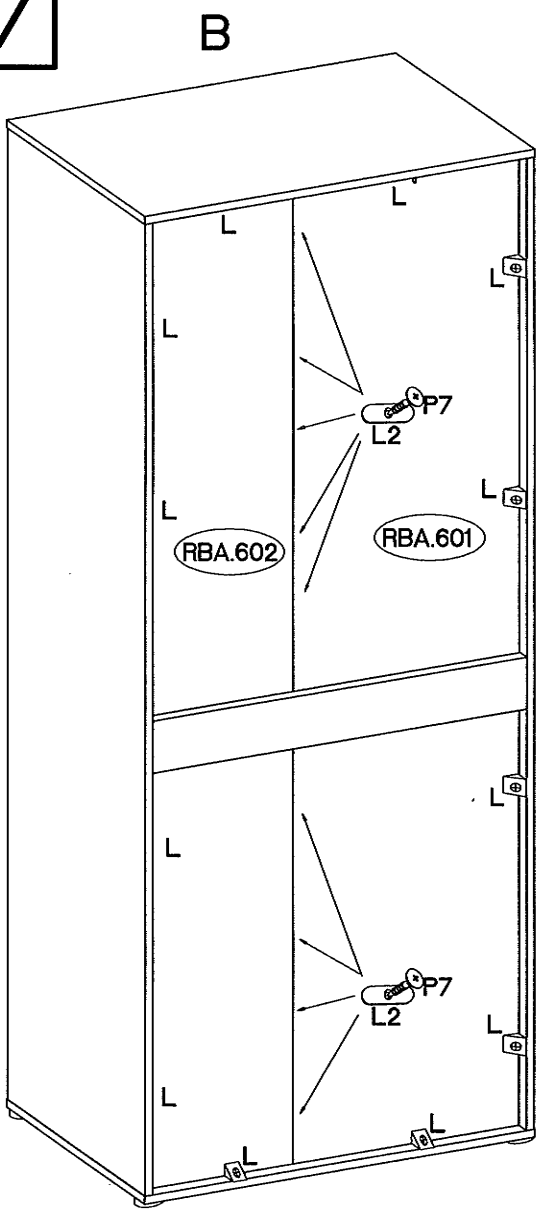


RBA.701

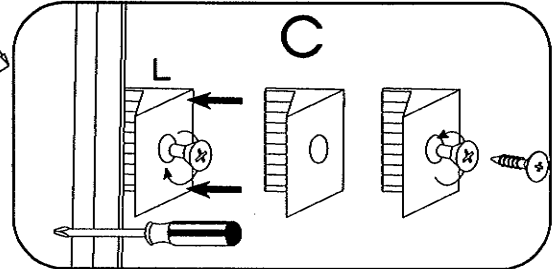
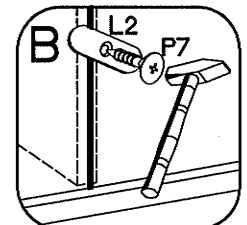
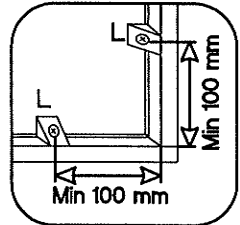
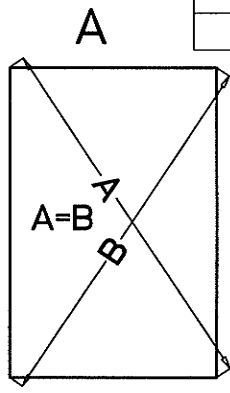
16



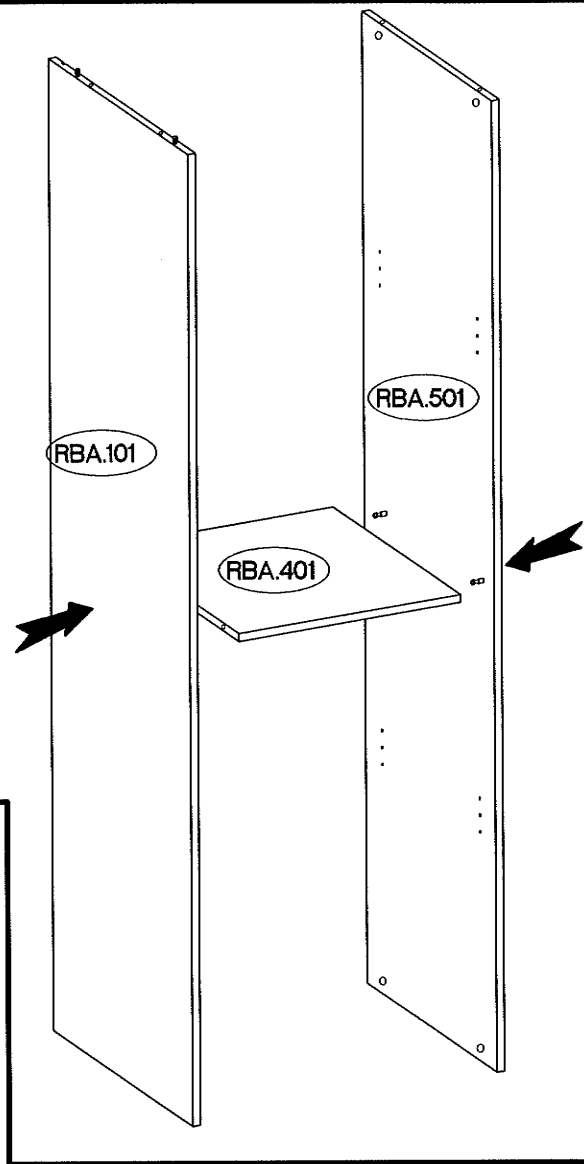
17



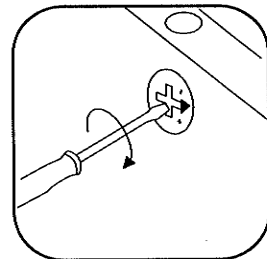
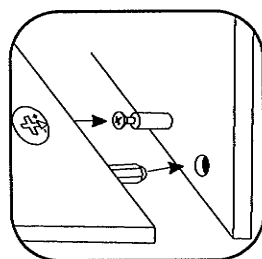
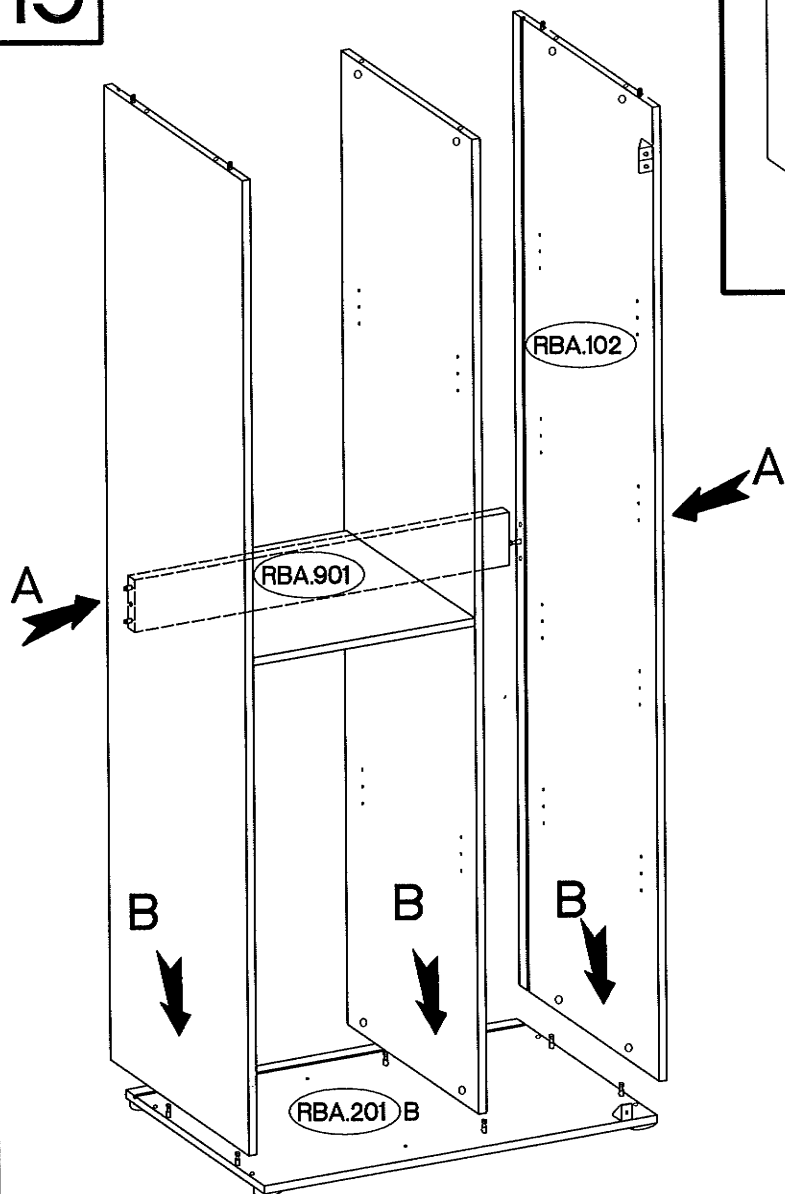
$\pm 3.0 \times 20 \text{ mm}$		
P7	L2	L
9	9	12



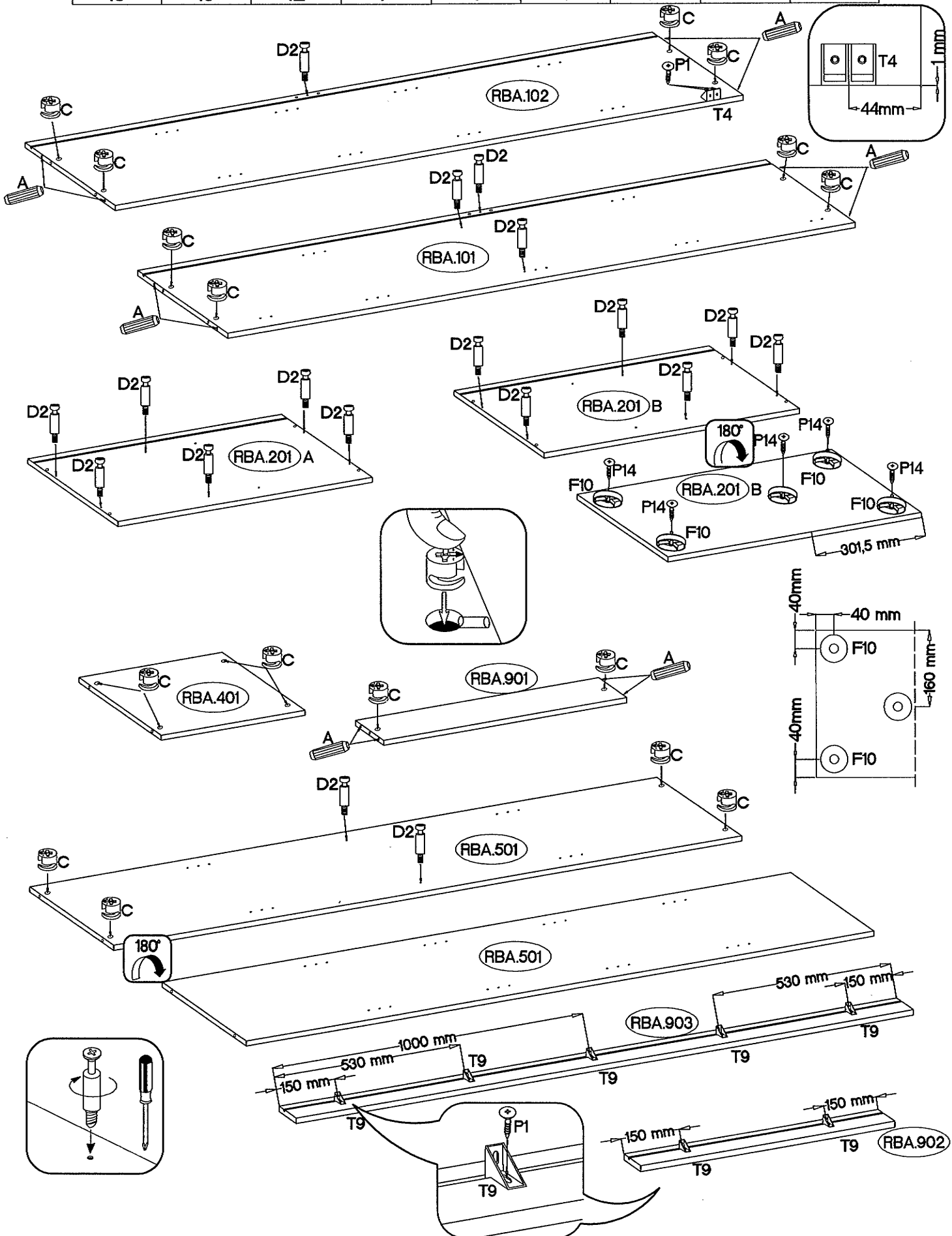
14

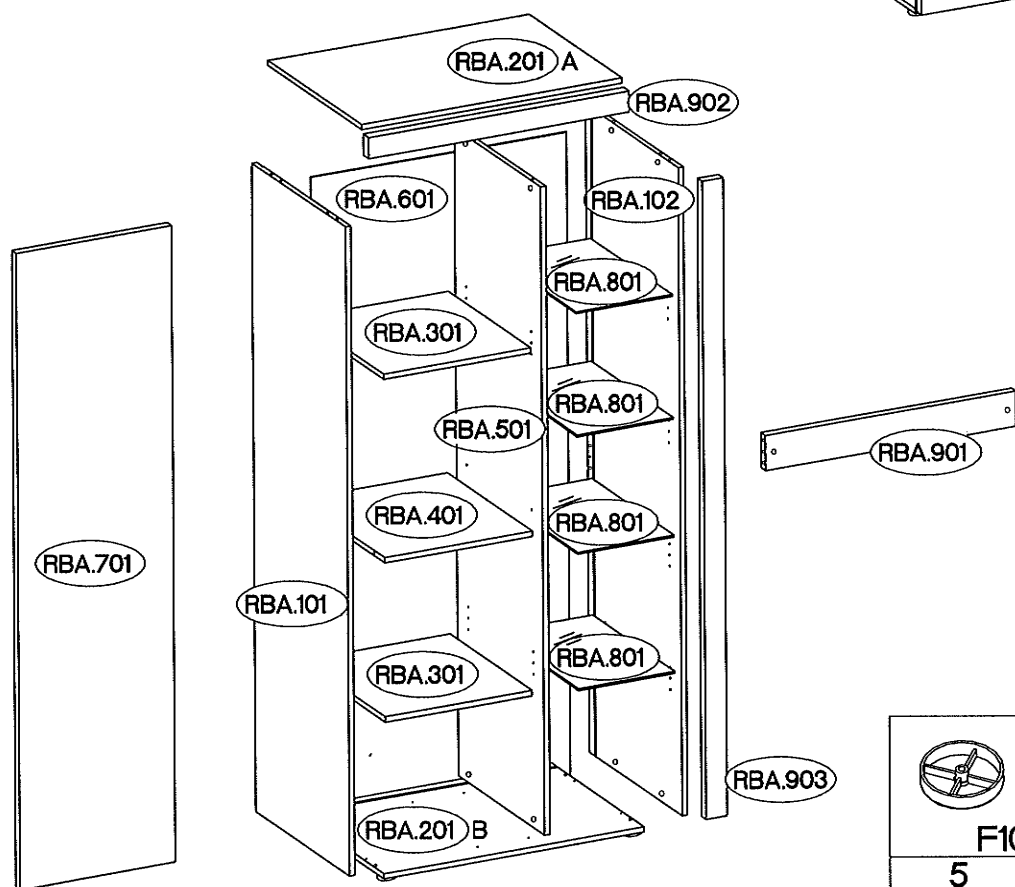
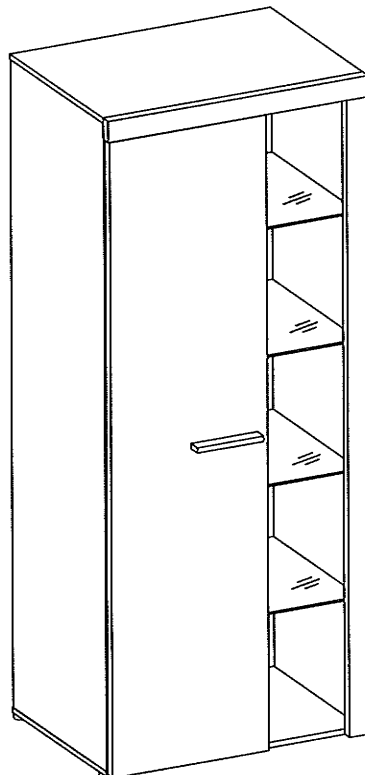




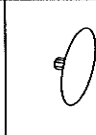
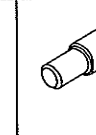
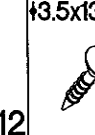
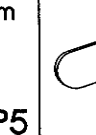

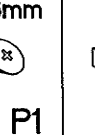
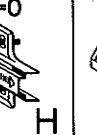

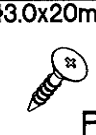
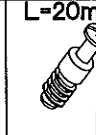
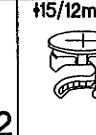

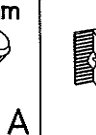
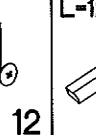

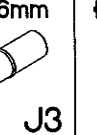
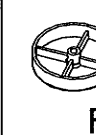
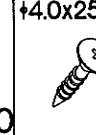

15



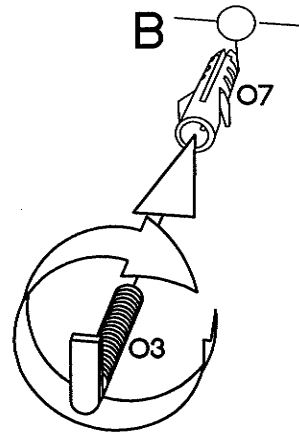
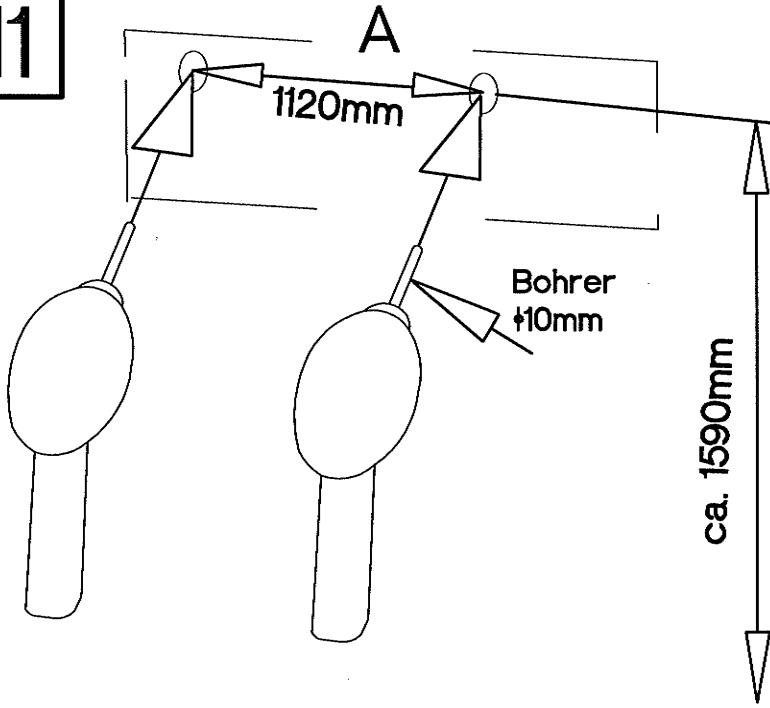
L=20mm	±15/12mm	±8x30mm				±4.0x16mm		±4.0x25mm
D2	C	A	T9	T4	T3	P1	F10	P14
18	18	12	7	1	1	10	5	5



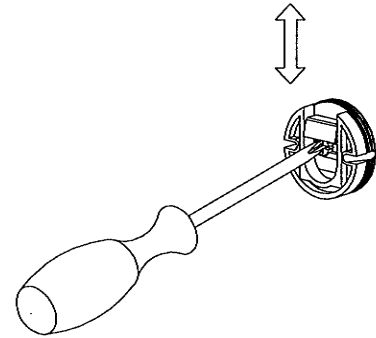
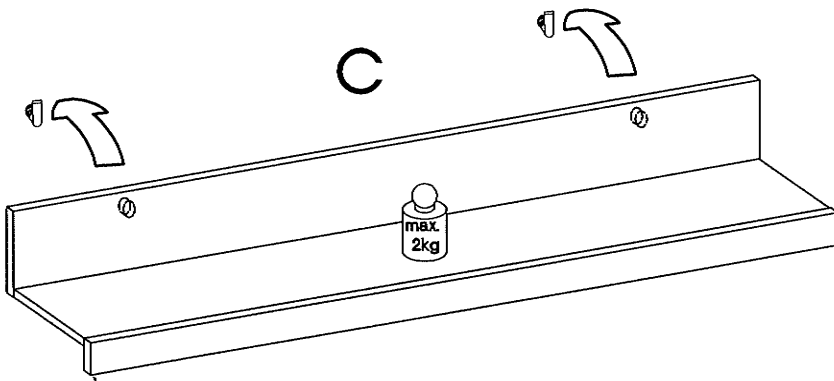
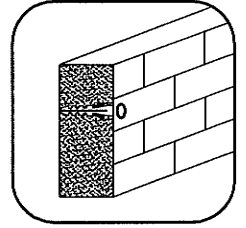
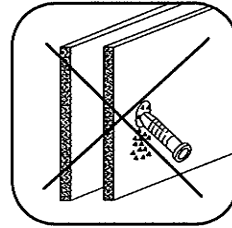
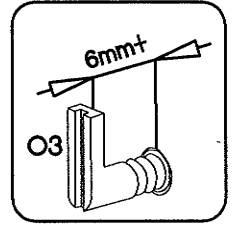


 O7 1	 L9 1	 E 16	 J12 16	 P5 7	 L2 10	 P1 18	 H=0 3	 T4 1
 R2 2	 P7 9	 L=20mm D2 18	 H=12mm C 18	 H=30mm A 12	 12 12	 L=128mm S1 1	 H=16mm J3 8	 H=35mm G 3
						 F10 5	 H=25mm P14 5	 T9 7




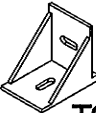

11

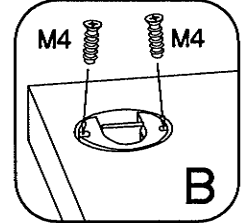
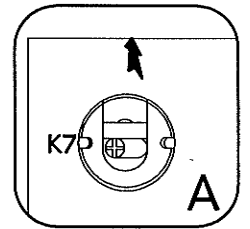
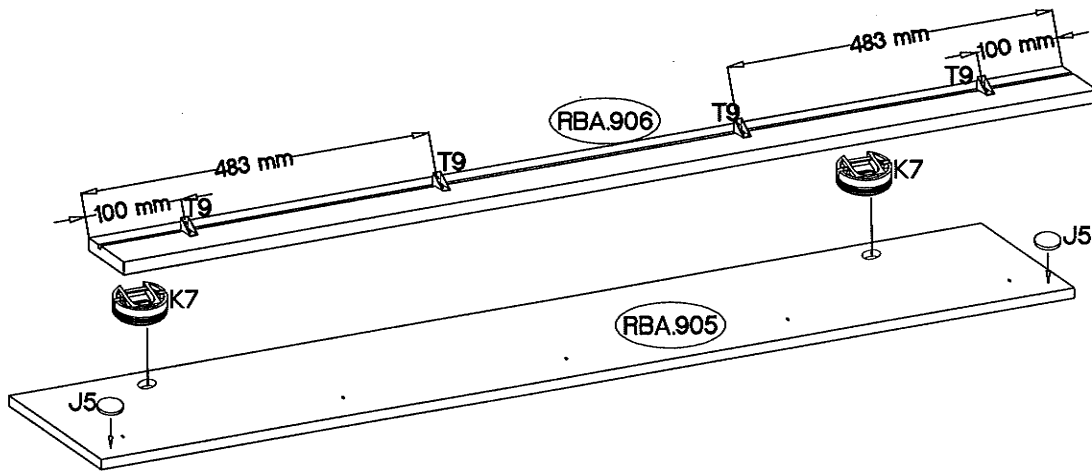
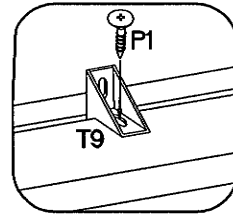


5/45mm	10x50mm
O3	O7
2	2




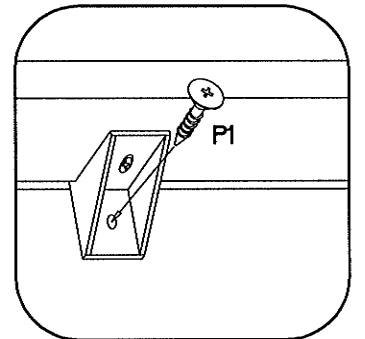
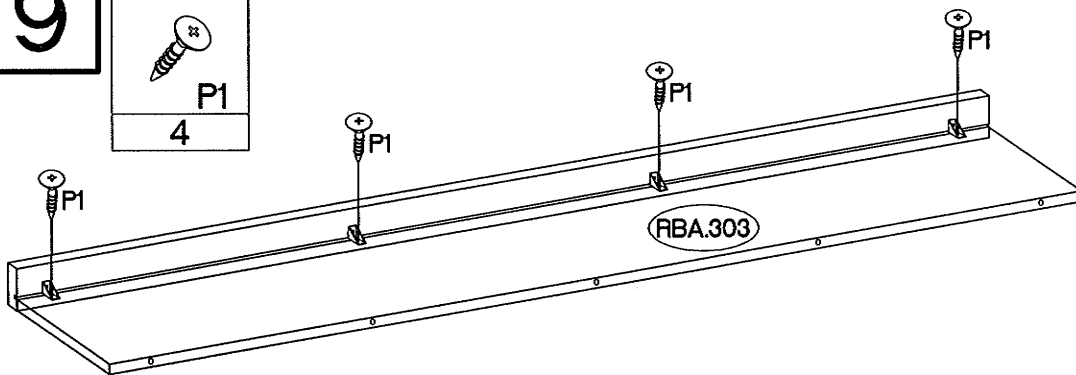
8

	$\pm 6,3 \times 9 \text{ mm}$ 	$\pm 7/2 \text{ mm}$ 		$\pm 4.0 \times 16 \text{ mm}$ 
K7 2	M4 4	J5 2	T9 4	P1 4


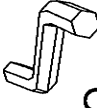


9

$\pm 4.0 \times 16 \text{ mm}$ 
P1 4



10

$6,4 \times 50 \text{ mm}$ 	
B 5	O 1

