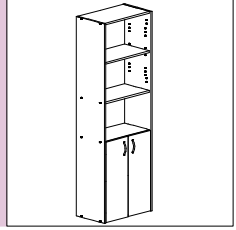
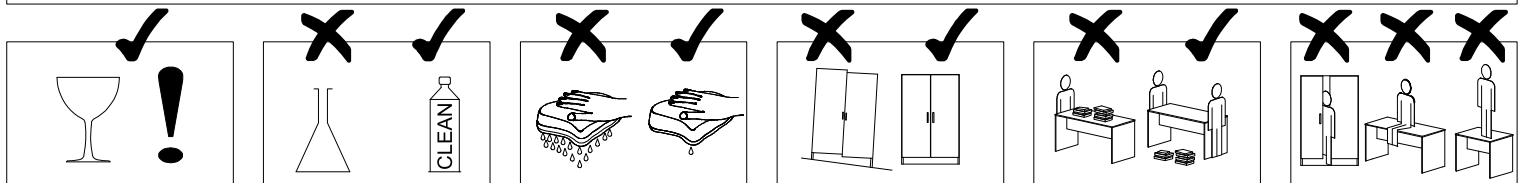
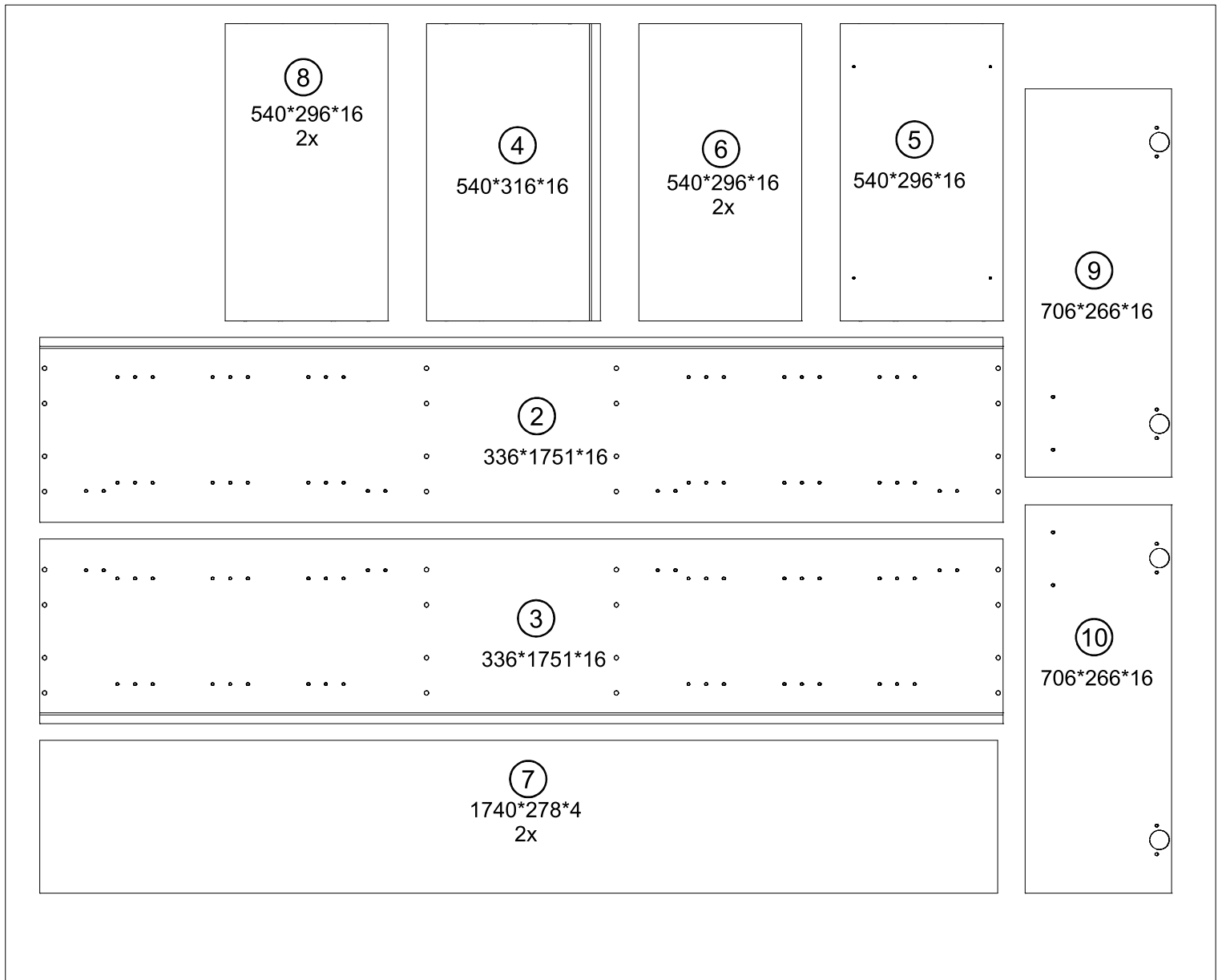


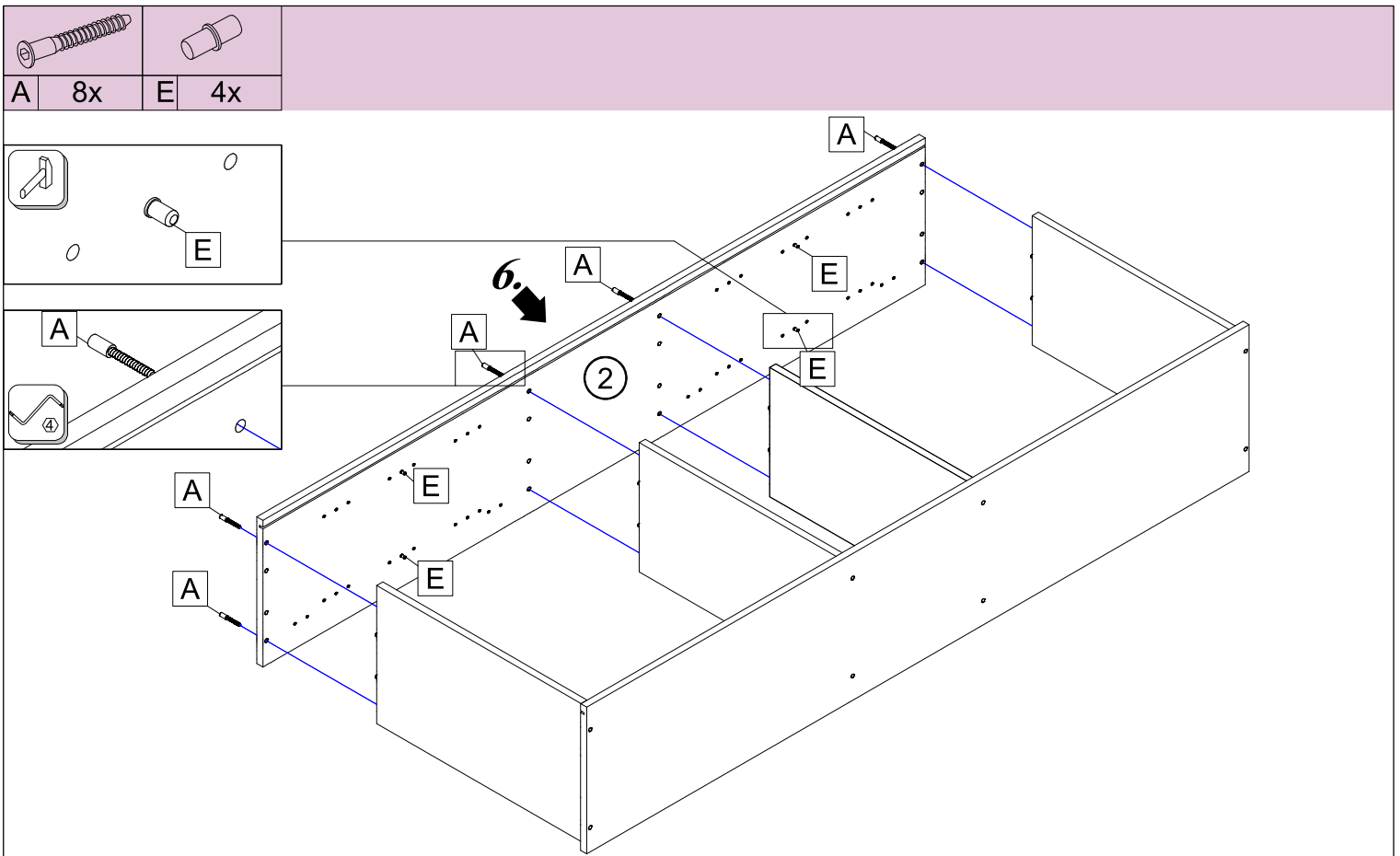
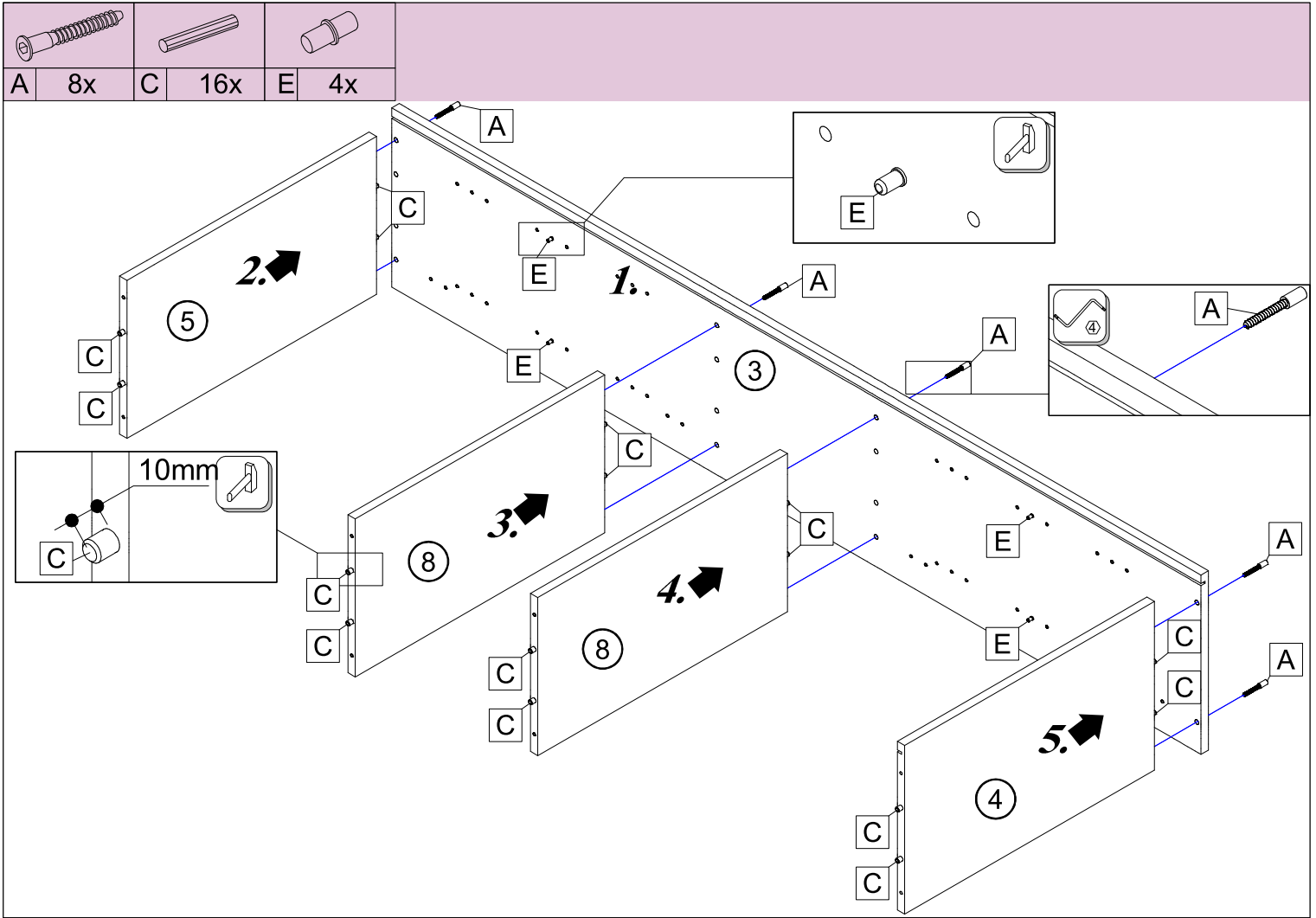


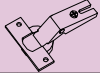
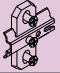


ASSISTANT  
 AS-002-00  
 572\*336\*1751

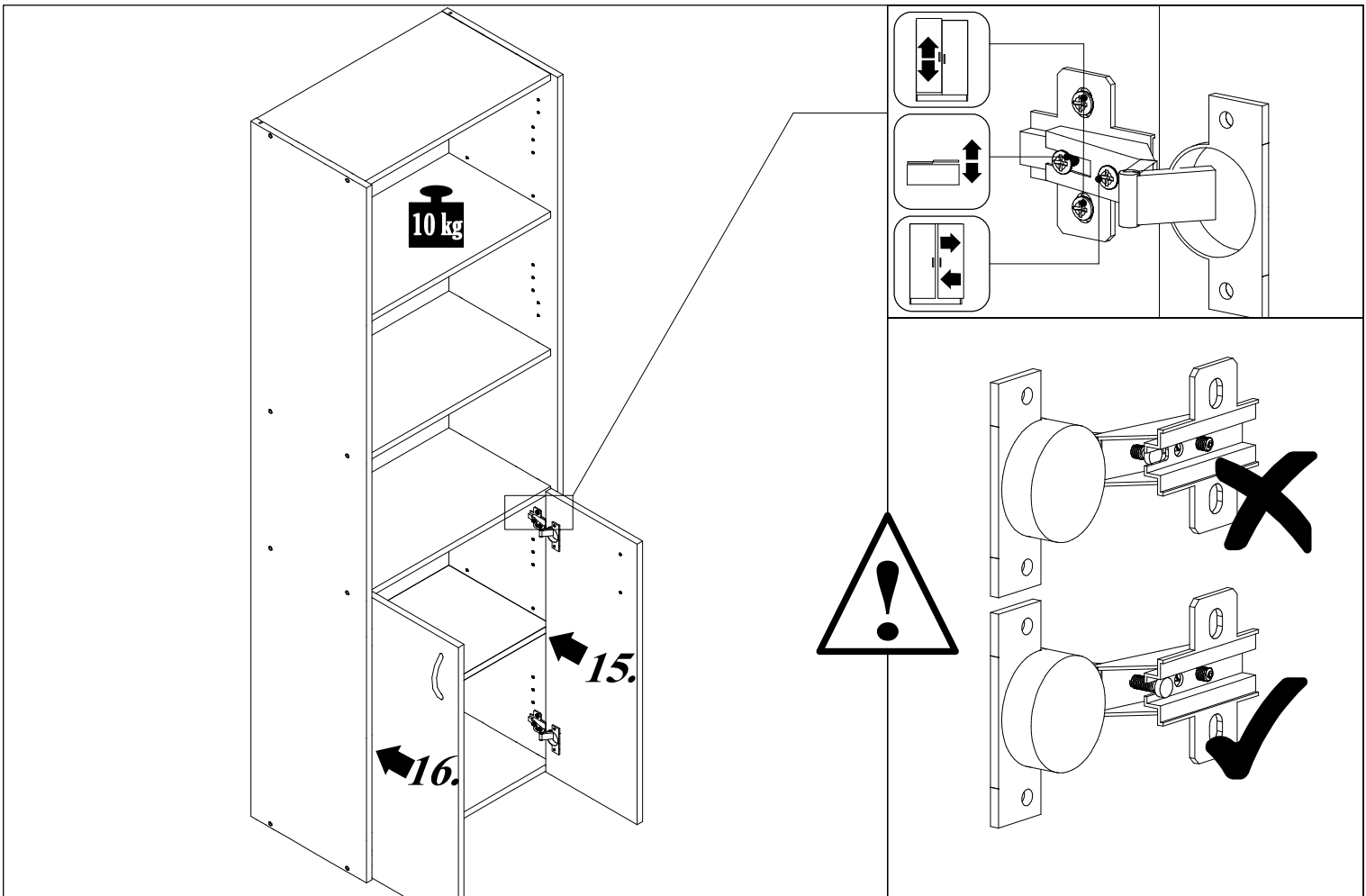
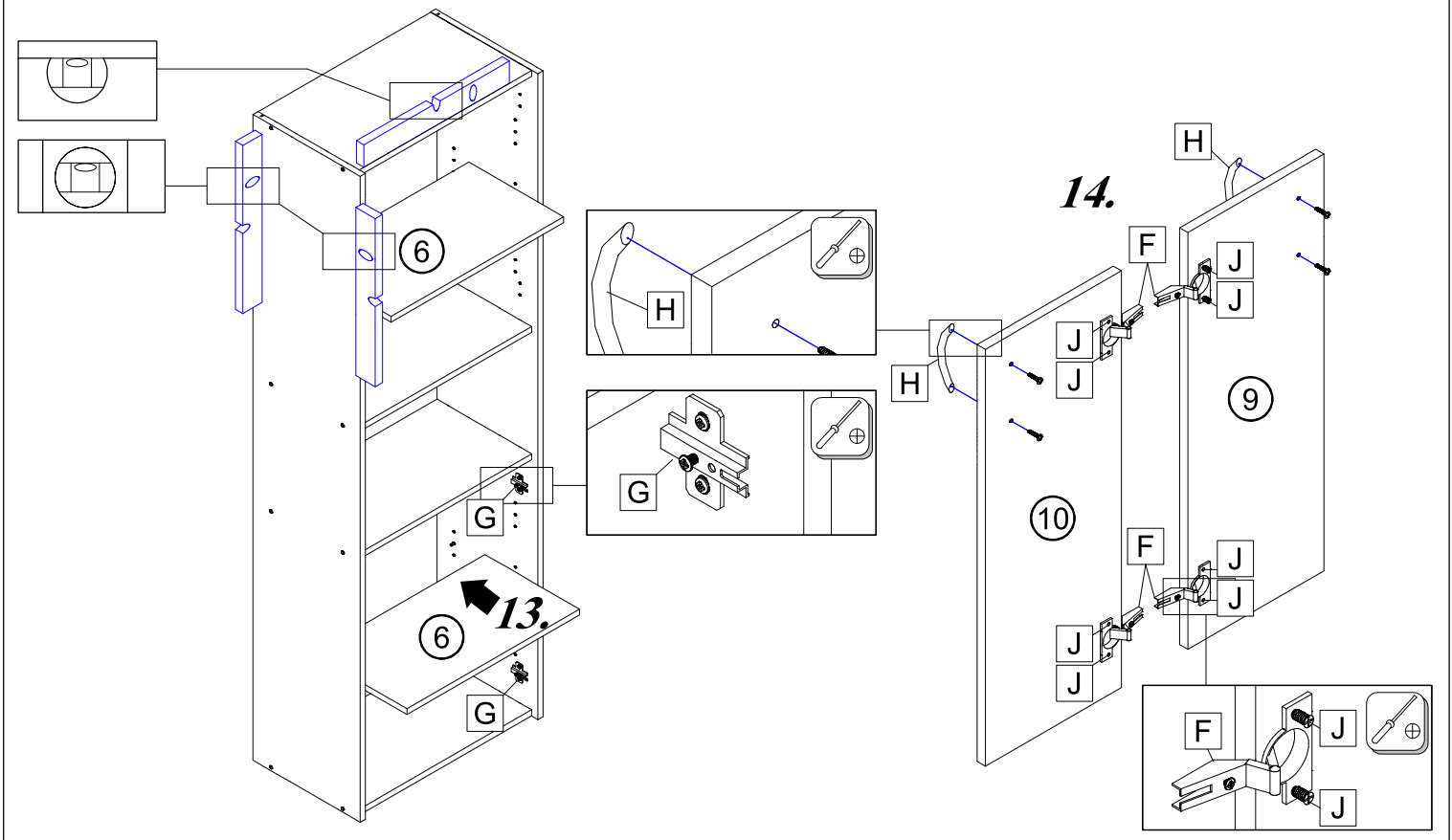


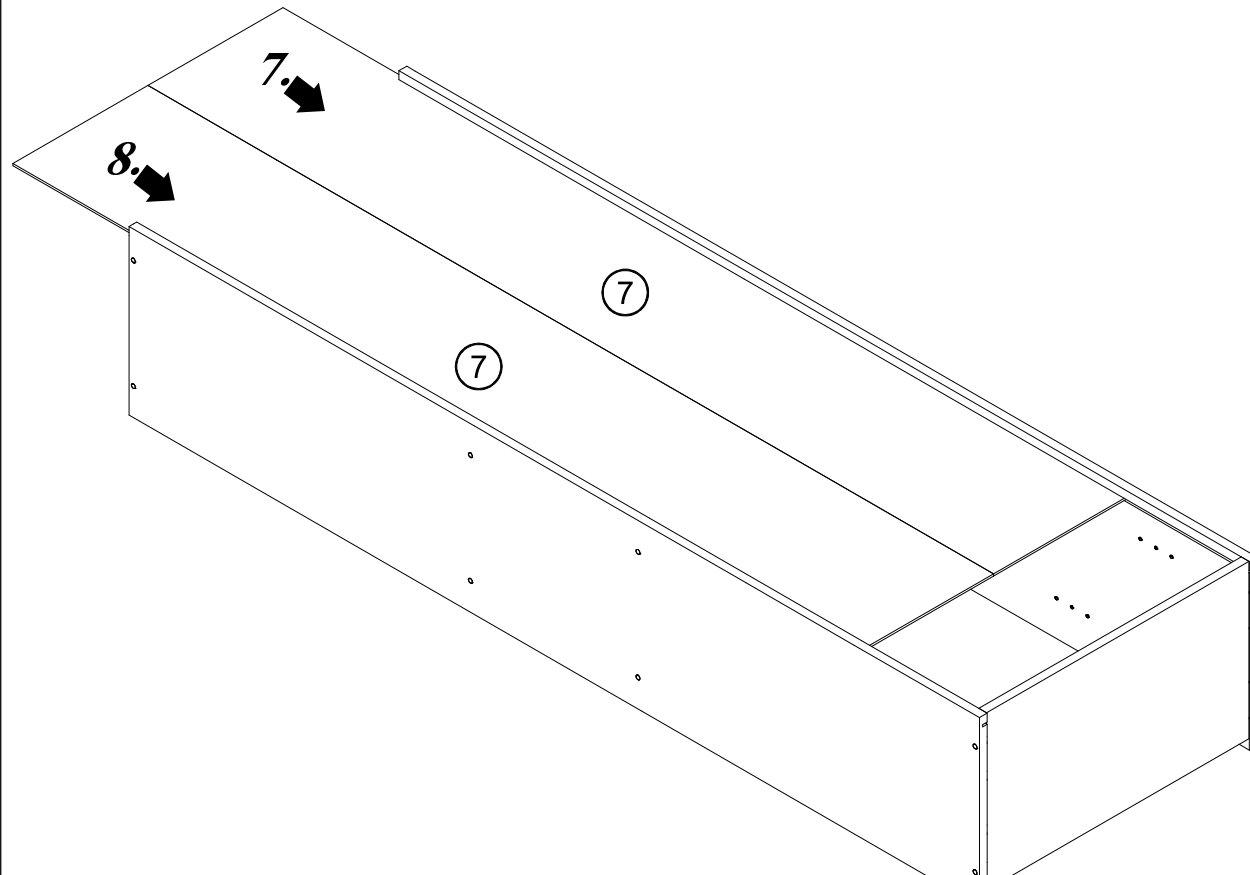
A 16x	B 24x	C 16x	D 16x	E 8x	F 4x	G 4x	H 2x	J 8x	
0h850min		4	5,58x8125	≤80,58kg	0,6m	3m			





			
F 4x	G 4x	H 2x	J 8x





	Ř1,6x20	
B	24x	D
		16x

